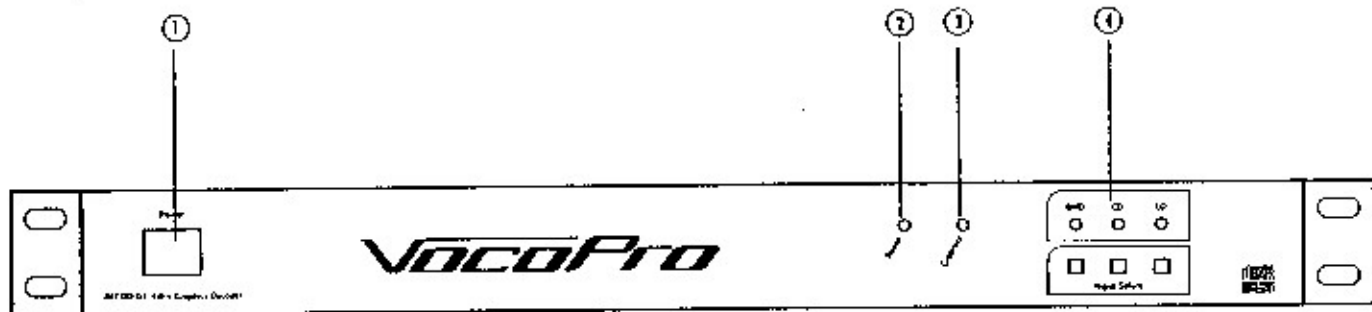


NAME OF PARTS AND THEIR FUNCTIONS

Front panel



① POWER SWITCH:

Press this switch to turn on or off the power

② POWER INDICATOR LIGHT:

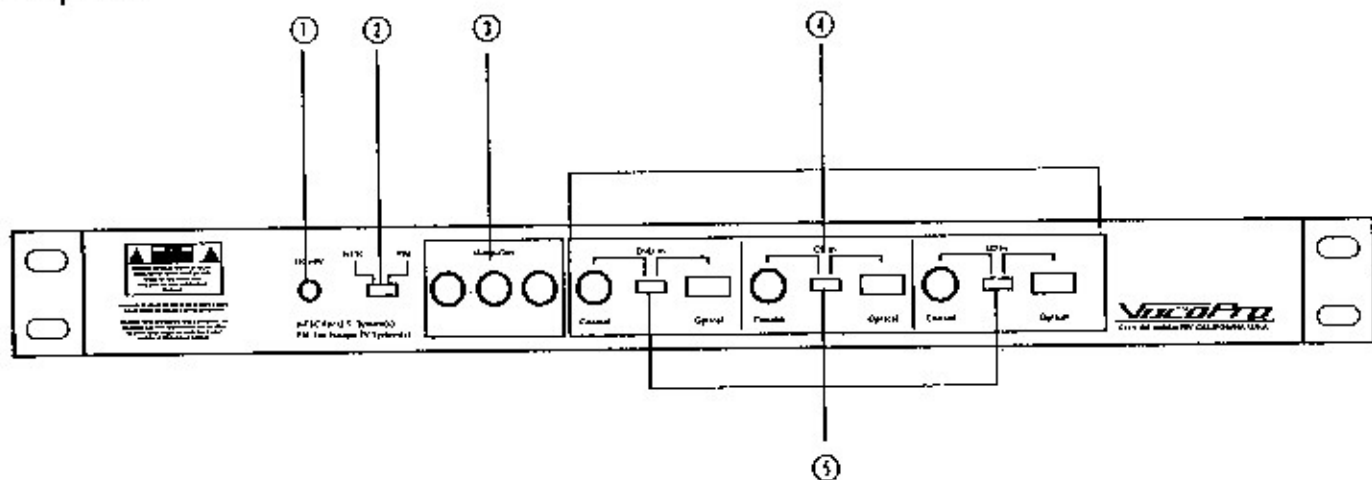
③ GRAPHICS INDICATOR LIGHT:

Light will turn on to indicate the CD+Graphics Disc is playing and decoding.

④ SOURCE SELECTOR/ INDICATORS:

Press the selector (DVD, CD, LD) to select the input source you wish to play.

Back panel



① DC INPUT JACK:

Plug the 9V AC/DC adaptor into this jack to get power.

Note: Only use the adaptor supplied. Using false power adaptors may damage the decoder.

② PAL/ NTSC SWITCH:

Use this to switch to select between different television systems.

For U.S. T.V. systems, set to NTSC.

For European T.V. systems, set to PAL.

③ VIDEO OUTPUT JACKS:

Connect video output jacks from the decoder to the video input jack of T.V. monitor (up to 3 T.V. monitors)

④ DIGITAL INPUT JACKS:

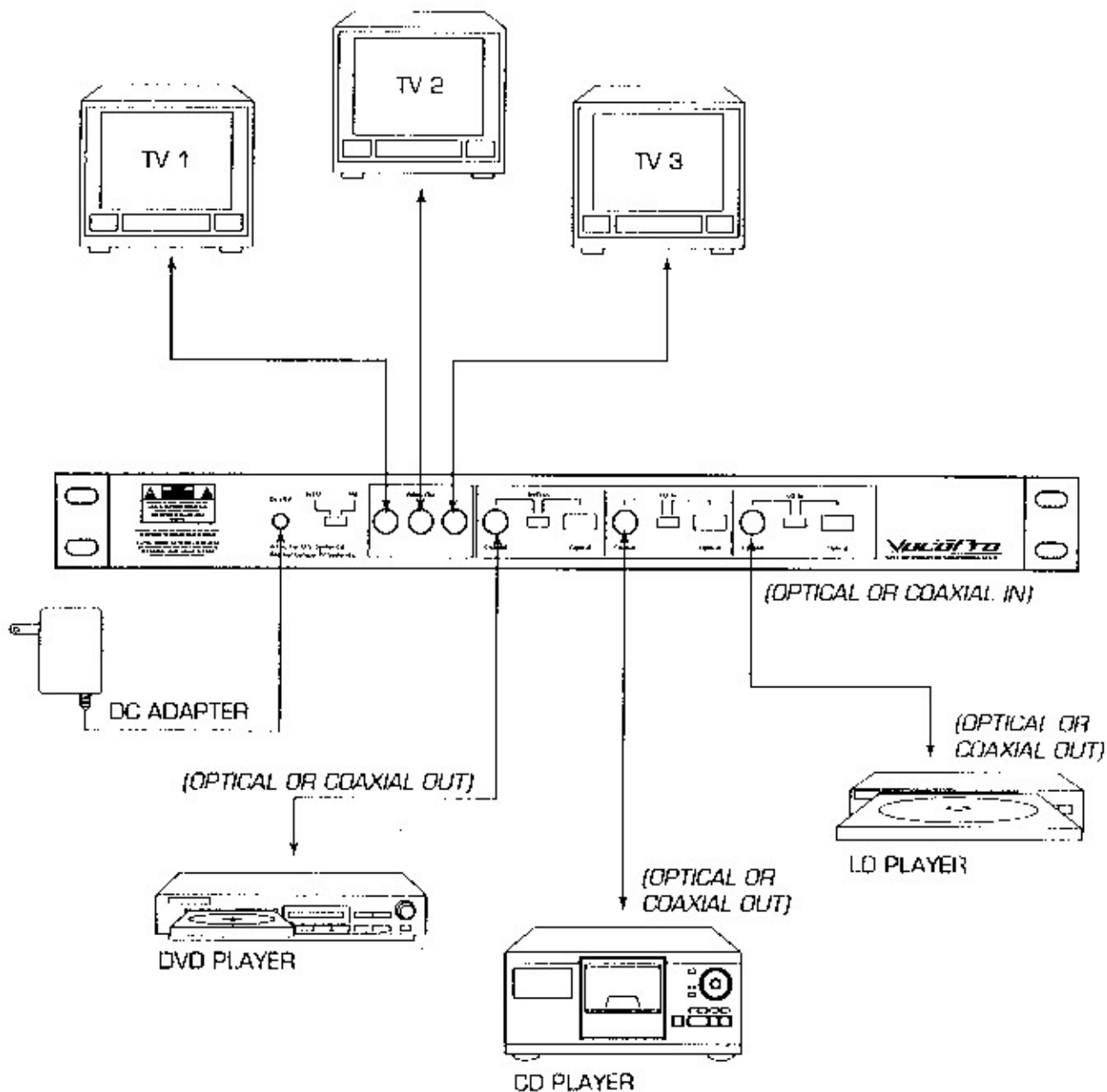
Connect the digital input jacks to the digital output jacks of the DVD players, CD players, or LD players.

Note: The DVD players, CD players, and LD players must have either coaxial or optical digital output to connect to the decoder.

⑤ COAXIAL/ OPTICAL SWITCH:

Use this switch to select between coaxial digital input or optical digital input corresponding to the different digital output system (coaxial or optical) of the DVD players, CD players or LD players you wish to play.

CONNECTIONS:



TROUBLESHOOTING:

SYMPTOM(S)	POSSIBLE CAUSE(S)	SOLUTION
1. No power.	* DC input is unplugged	* Connect the 9V DC adaptor supplied into the DC input jack. Note: Use only the adaptor supplied. Using a false power adaptor may damage the decoder.
2. No graphics.	* Input selector is switched after the song has been played.	* Select the proper input and restart the song.
	* A non CD+G disc is being played.	* Check and make sure inserted disc is a CD+G disc. The graphics indicator light should turn on to show the disc is playing and decoding.
	* Input selector is not switched to the player.	* Switch to the proper input from the source selector and restart the song.
	* Coaxial/optical switch is not properly selected.	* Check and set the coaxial/ optical switch to the correct position.
	* Video output is not properly connected.	* Connect the video output to the video input of the TV monitor. Note: 1. The TV monitor must be switched to the correct video input. Please, refer to your TV owner's manual for correct video input switching. 2. Some TVs may not have audio / video inputs. In this case, a RF Modulator (not included) will be required.
3. Graphics are black and white or scribbles.	* Video systems (PAL/ NTSC) not properly switched.	* Switch to the proper video system: NTSC for U.S. T.V. systems. PAL for European T.V. systems.
	* The CD+G Disc is dirty or scratched.	* Clean the disc and check for any scratches.

VocoPro

OWNER'S MANUAL



DECOD-G1

CD + GRAPHICS DECODER

EXCELLENT FEATURES:

- 19" RACK MOUNTABLE CD+GRAPHICS DECODER
- TURN CD PLAYERS, DVD PLAYERS, LASER DISC PLAYERS INTO CDG PLAYER (MUST HAVE DIGITAL OUTPUTS)
- ACCEPT UP TO 3 DIGITAL SOURCES SUCH AS DVD PLAYER, CD PLAYER OR LD PLAYERS
- SWITCHABLE OPTICAL OR COAXIAL INPUTS
- DECODES AND OUTPUTS THE GRAPHICS WITH ANY CD+GRAPHIC DISCS
- CONNECT UP TO 3 TV MONITORS WITH 3 RCA VIDEO OUTPUT JACKS
- SWITCHABLE PAL / NTSC FOR BOTH U.S. AND EUROPEAN TV SYSTEMS

CAUTION:
RISK OF ELECTRIC SHOCK
DO NOT OPEN

**CAUTION: TO REDUCE THE RISK OF
ELECTRIC SHOCK, DO NOT REMOVE
COVER (OR BACK) NO USER-SERVICABLE
PARTS INSIDE REFER SERVICING TO
QUALIFIED SERVICE PERSONNEL**



The lightning flash with arrowhead symbol, within an equilateral triangle, is intended to alert the user to the presence of uninsulated "dangerous voltage" within the product's enclosure that may be of sufficient magnitude to constitute a risk of electric shock to persons.



The exclamation point within an equilateral triangle is intended to alert the user to the presence of important operating and maintenance (servicing) instructions in the literature accompanying the appliance.

WARNING

TO REDUCE THE RISK OF FIRE OR ELECTRIC SHOCK, DO NOT EXPOSE THIS APPLIANCE TO RAIN OR MOISTURE.

CAUTION:

TO PREVENT ELECTRIC SHOCK, DO NOT USE THIS (POLARIZED) PLUG WITH AN EXTENSION CORD, RECEPTACLE OR OTHER OUTLET UNLESS THE BLADES CAN BE FULLY INSERTED TO PREVENT BLADE EXPOSURE.

TABLE OF CONTENTS

CAUTION	2
NAME OF PARTS AND THEIR FUNCTION	3
CONNECTION	4
TROUBLESHOOTING	5