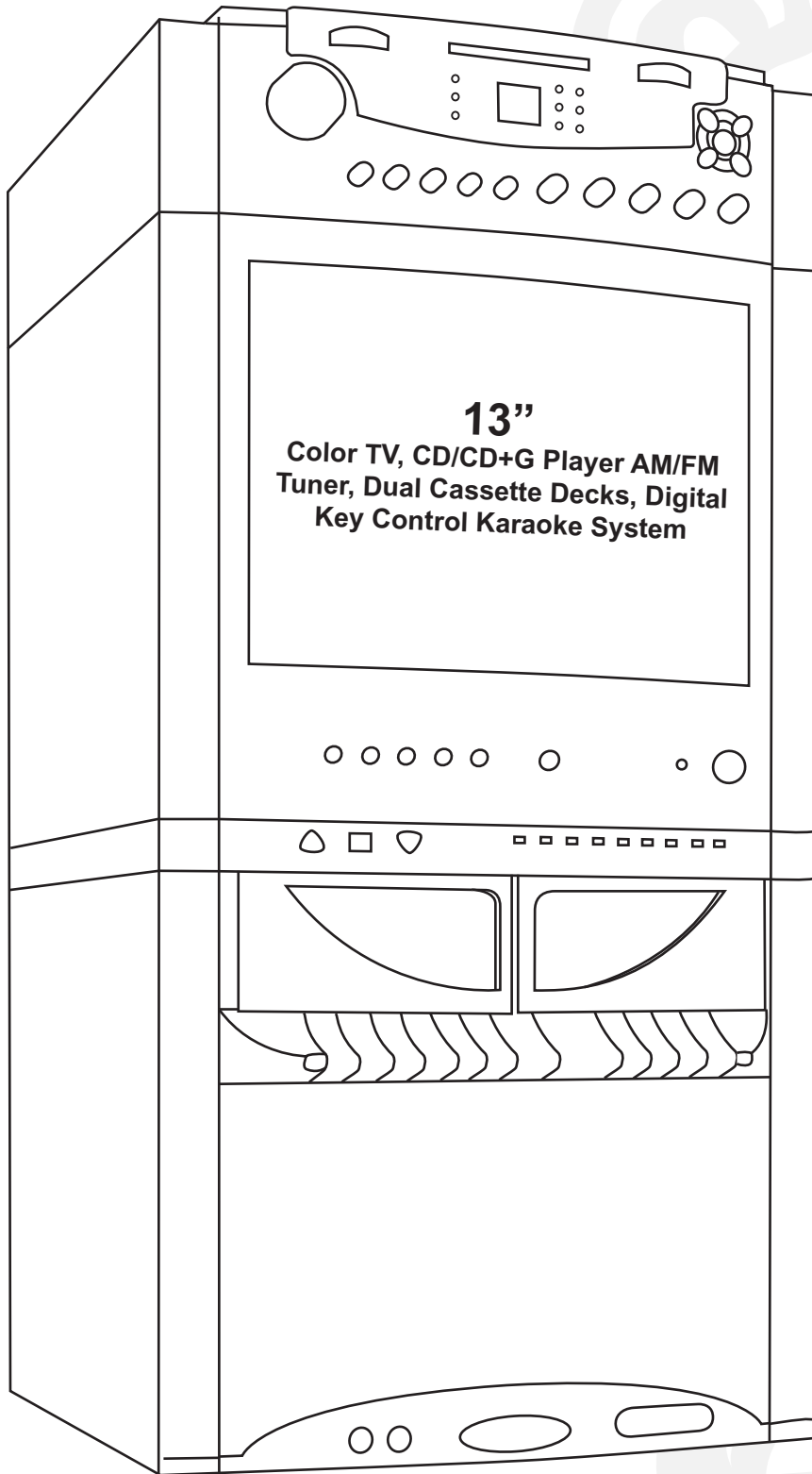


# VocoPro

ULTIMATE CHOICE OF KARAOKE ENTERTAINMENT




## ENTERTAINER


The all in one Unit

o w n e r ' s m a n u a l

# Safety Instructions



**CAUTION**  
**RISK OF SHOCK**



CAUTION: To reduce the risk of electric shock, do not remove cover (or back). No user-serviceable parts inside. Only refer servicing to qualified service personnel.

## Explanation of Graphical Symbols



The lightning flash & arrowhead symbol, within an equilateral triangle, is intended to alert you to the presence of danger.



The exclamation point within an equilateral triangle is intended to alert you to the presence of important operating and servicing instructions.

## WARNING

To reduce the risk of fire or electric shock, do not expose this unit to rain or moisture.

**1. Read Instructions** - All the safety and operating instructions should be read before the appliance is operated.

**2. Retain Instructions** - The safety and operating instructions should be retained for future reference.

**3. Heed Warnings** - All warnings on the appliance and in the operating instructions should be adhered to.

**4. Follow Instructions** - All operating and use instructions should be followed.

**5. Attachments** - Do not use attachments not recommended by the product manufacturer as they may cause hazards.

**6. Water and Moisture** - Do not use this unit near water. For example, near a bathtub or in a wet basement and the like.

**7. Carts and Stands** - The appliance should be used only with a cart or stand that is recommended by the manufacturer.

**7 A.** An appliance and cart combination should be moved with care. Quick stops, excessive force, and uneven surfaces may cause an overturn.



**8. Ventilation** - The appliance should be situated so its location does not interfere with its proper ventilation. For example, the appliance should not be situated on a bed, sofa, rug, or similar surface that may block the ventilation slots.

**9. Heat** - The appliance should be situated away from heat sources such as radiators, heat registers, stoves, or other appliances (including amplifiers) that produce heat.

**10. Power Sources** - The appliance should be connected to a power supply only of the type described in the operating instructions or as marked on the appliance.

**11. Grounding or Polarization** - Precautions should be taken so that the grounding or polarization means of an appliance is not defeated.

**12. Power-Cord Protection** - Power-supply cords should be routed so that they are not likely to be walked on or pinched by items placed upon or against them, paying particular attention to cords at plugs, convenience receptacles, and the point where they exit from the appliance.

**13. Cleaning** - Unplug this unit from the wall outlet before cleaning. Do not use liquid cleaners or aerosol cleaners. Use a damp cloth for cleaning.

**14. Power lines** - An outdoor antenna should be located away from power lines.

**15. Nonuse Periods** - The power cord of the appliance should be unplugged from the outlet when left unused for a long period of time.

**16. Object and Liquid Entry** - Care should be taken so that objects do not fall and liquids are not spilled into the enclosure through openings.

**17. Damage Requiring Service** - The appliance should be serviced by qualified service personnel when:

- A. The power supply cord or plug has been damaged; or
- B. Objects have fallen into the appliance; or
- C. The appliance has been exposed to rain; or
- D. The appliance does not appear to operate normally or exhibits a marked change in performance; or
- E. The appliance has been dropped, or the enclosure damaged.

**18. Servicing** - The user should not attempt to service the appliance beyond that described in the operating instructions. All other servicing should be referred to qualified service personnel.

### NOTE:

To CATV system installer's (U.S.A.): This reminder is provided to call the CATV system installer's attention to Article 820-40 of the NEC that provides guidelines for proper grounding and, in particular, specifies that the cable ground shall be connected as close to the point of cable entry as practical.

## FCC INFORMATION (U.S.A.)

**1. IMPORTANT NOTICE: DO NOT MODIFY THIS UNIT!** This product, when installed as indicated in the instructions contained in this manual, meets FCC requirements. Modifications not expressly approved by Vocopro may void your authority, granted by the FCC, to use this product.

**2. IMPORTANT:** When connecting this product to accessories and/or another product use only high quality shielded cables. Cable(s) supplied with this product **MUST** be used. Follow all installation instructions. Failure to follow instructions could void your FCC authorization to use product in the U.S.A.

**3. NOTE:** This product has been tested and found to comply with the requirements listed in FCC Regulations, Part 15 for Class "B" digital devices. Compliance with these requirements provides a reasonable level of assurances that your use of this product in a residential environment will not result in harmful interference with other electronic devices. This equipment generates/uses radio frequencies and, if not installed and used according to the instructions found in the owner's manual, may cause interference harmful to the operation of other electronic devices. Compliance with FCC regulations does not guarantee that interference will not occur in all installations. If this product is found to be the source of interference, which can be determined by turning the unit "Off" and "On", please try to eliminate the problem by using one of the following measures:

Relocate either this product or the device that is being affected by the interference.

Use power outlets that are on different branch (circuit breaker or fuse) circuits or install AC line filter(s).

In the case of radio or TV interference, relocate/reorient the antenna. If the antenna lead-in is 300-ohm ribbon lead, change the lead-in to coaxial type cable.

If these corrective measures do not produce satisfactory results, please contact your local retailer authorized to distribute Vocopro products. If you can not locate the appropriate retailer, please contact Vocopro, 1728 Curtiss Court, La Verne, CA 91750.

### CAUTION

The apparatus is not disconnected from the AC power source so long as it is connected to the wall outlet, even if the apparatus itself is turned off. To fully insure that the apparatus is indeed fully void of residual power, leave unit disconnected from the AC outlet for at least fifteen seconds.

---

## CAUTION: READ THIS BEFORE OPERATING YOUR UNIT

---

1. To ensure the finest performance, please read this manual carefully. Keep it in a safe place for future reference.
2. Install your unit in a cool, dry, clean place – away from windows, heat sources, and too much vibration, dust, moisture or cold. Avoid sources of hum (transformers, motors). To prevent fire or electrical shock, do not expose to rain and water.
3. Do not operate the unit upside-down.
4. Never open the cabinet. If a foreign object drops into the set, contact your dealer.
5. Place the unit in a location with adequate air circulation. Do not interfere with its proper ventilation; this will cause the internal temperature to rise and may result in a failure.
6. Do not use force on switches, knobs or cords. When moving the unit, first turn the unit off. Then gently disconnect the power plug and the cords connecting to other equipment. Never pull the cord itself.
7. Do not attempt to clean the unit with chemical solvents: this might damage the finish. Use a clean, dry cloth.
8. Be sure to read the "Troubleshooting" section on common operating errors before concluding that your unit is faulty.
9. This unit consumes a fair amount of power even when the power switch is turned off. We recommend that you unplug the power cord from the wall outlet if the unit is not going to be used for a long time. This will save electricity and help prevent fire hazards. To disconnect the cord, pull it out by grasping the plug. Never pull the cord itself.
10. To prevent lightning damage, pull out the power cord and remove the antenna cable during an electrical storm.
11. The general digital signals may interfere with other equipment such as tuners or receivers. Move the system farther away from such equipment if interference is observed.
12. When positioning your equipment, especially regarding speakers or other accessories, avoid positioning them over areas where they can fall and cause injury to yourself and others.

### NOTE:

Please check the copyright laws in your country before recording from records, compact discs, radio, etc. Recording of copyrighted material may infringe copyright laws.



# Welcome....

Welcome....

And Thank you for purchasing the **Entertainer** from VocoPro, your ultimate choice in Karaoke entertainment! With years of experience in the music entertainment business, VocoPro is a leading manufacturer of Karaoke equipment, and has been providing patrons of bars, churches, schools, clubs and individual consumers the opportunity to sound like a star with full-scale club models, in-home systems and mobile units. All our products offer solid performance and sound reliability, and to further strengthen our commitment to customer satisfaction, we have customer service and technical support professionals ready to assist you with your needs. We have provided some contact information for you below.

**VocoPro**  
1728 Curtiss Court  
La Verne, CA 91750  
**Toll Free: 800-678-5348**  
TEL: 909-593-8893  
FAX: 909-593-8890

### VocoPro Company Email Directory

**Customer Service & General Information**  
info@vocopro.com

**Tech Support**  
techsupport@vocopro.com

#### Remember Our Website

Be sure to visit the VocoPro website [www.vocopro.com](http://www.vocopro.com) for the latest information on new products, packages and promo's. And while you're there don't forget to check out our Club VocoPro for Karaoke news and events, chatrooms, club directories and even a KJ Service directory!

We look forward to hearing you sound like a PRO, with VocoPro, your ultimate choice in Karaoke entertainment.

### FOR YOUR RECORDS

Please record the model number and serial number below, for easy reference, in case of loss or theft. These numbers are located on the rear panel of the unit. Space is also provided for other relevant information

**Model Number** \_\_\_\_\_

**Serial Number** \_\_\_\_\_

**Date of Purchase** \_\_\_\_\_

**Place of Purchase** \_\_\_\_\_

# Listening For A Lifetime

---

Selecting fine audio equipment such as the unit you've just purchased is only the start of your musical enjoyment. Now it's time to consider how you can maximize the fun and excitement your equipment offers. VocoPro and the Electronic Industries Association's Consumer Electronics Group want you to get the most out of your equipment by playing it at a safe level. One that lets the sound come through loud and clear without annoying blaring or distortion and, most importantly, without affecting your sensitive hearing.

Sound can be deceiving. Over time your hearing "comfort level" adapts to a higher volume of sound. So what sounds "normal" can actually be loud and harmful to your hearing. Guard against this by setting your equipment at a safe level BEFORE your hearing adapts.

To establish a safe level:

- Start your volume control at a low setting.
- Slowly increase the sound until you can hear it comfortably and clearly, and without distortion.

Once you have established a comfortable sound level:

- Set the dial and leave it there.
- Pay attention to the different levels in various recordings.

Taking a minute to do this now will help to prevent hearing damage or loss in the future. After all, we want you listening for a lifetime.

Used wisely, your new sound equipment will provide a lifetime of fun and enjoyment. Since hearing damage from loud noise is often undetectable until it is too late, this manufacturer and the Electronic Industries Association's Consumer Electronics Group recommend you avoid prolonged exposure to excessive noise. This list of sound levels is included for your protection.

## Some common decibel ranges:

Level	Example
<b>30</b>	Quiet library, Soft whispers
<b>40</b>	Living room, Refrigerator, Bedroom away from traffic
<b>50</b>	Light traffic, Normal Conversation
<b>60</b>	Air Conditioner at 20 ft., Sewing machine
<b>70</b>	Vacuum cleaner, Hair dryer, Noisy Restaurant
<b>80</b>	Average city traffic, Garbage disposals, Alarm clock at 2 ft.

## The following noises can be dangerous under constant exposure:

Level	Example
<b>90</b>	Subway, Motorcycle, Truck traffic, Lawn Mower
<b>100</b>	Garbage truck, Chainsaw, Pneumatics drill
<b>120</b>	Rock band concert in front of speakers
<b>140</b>	Gunshot blast, Jet plane
<b>180</b>	Rocket launching pad

# ENTERTAINER

The all in one unit

---

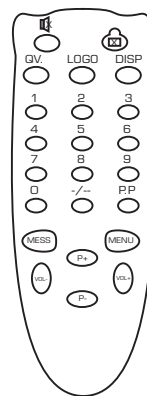
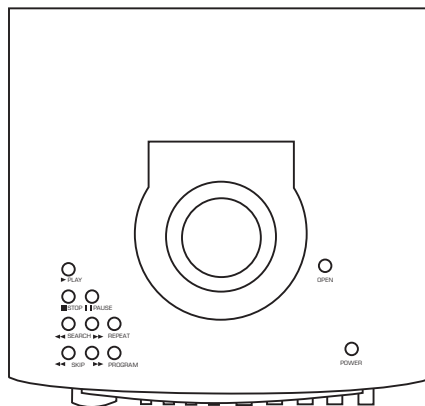
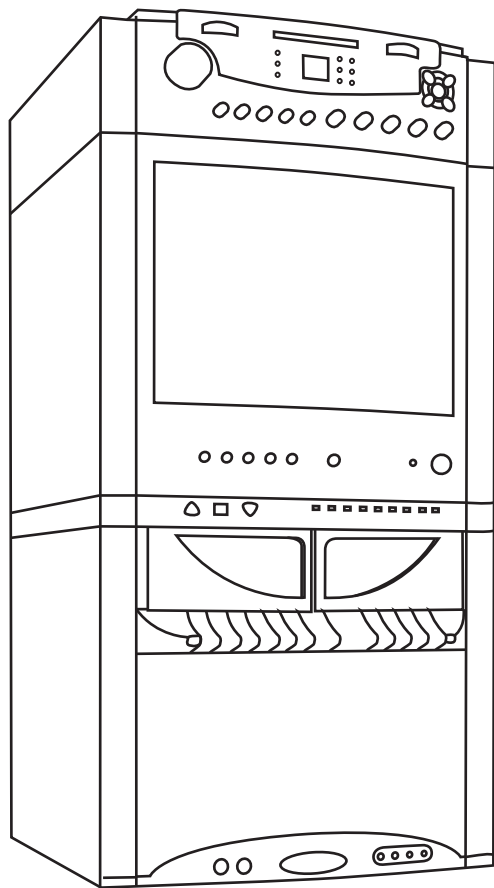
## Contents

Cautions and Warnings . . . . .	2-3
Welcome . . . . .	4
Listening for a Lifetime . . . . .	5
Features . . . . .	7
Before Getting Started . . . . .	8
Front Panel Description and Functions . . . . .	9-11
Top and Rear Panel Description and Functions . . . . .	12
Remote Control Descriptions and Functions . . . . .	13
Getting Connected. . . . .	14-15
Antenna/channels. . . . .	16
OSD Description and Functions . . . . .	17-18
Advanced Operation . . . . .	19-23
Troubleshooting . . . . .	24



# The Entertainer's Features

---



- 13" Color TV Receiver with Interactive OSD
- Top Loading CD/CD+G Player with Program and Repeat Controls
- Dual Cassette Decks w/Pitch Control (Tape Speed) up to  $\pm 10\%$
- AM/FM Stereo Tuner
- A/V Output Jacks for External TV and Audio System Integration
- Front Panel A/V Input Jacks for Console Gaming, Camcorders or VCR's
- 2 Microphone Inputs w/ Individual Volume Controls
- Mic Bass, Treble and Echo Controls
- Music Volume, Bass, Treble and Balance Controls
- 9-Step Digital Key Controller ( $\pm 2$  Notes in  $1/2$  Step Increments)
- Vocal Partner with Adjustable Sensitivity Control
- Two-Way Four Speaker System
- Remote Control for TV Operation
- Recessed Handles for Easy Portability
- Built-in VHF/UHF Antenna w/Auto-Search Feature
- 75 Ohm Cable-Ready Coaxial Input for Easy Cable Connection
- Headphones Jack for Private Listening
- 2 Metal Constructed Microphones
- Retractable Side-Mounted Microphone Holders

# Before Getting Started: Things to Consider

---

It is very important to read the following instructions prior to starting any installation procedures. Doing so will ensure a correct installation and may save you some time as well.

## **Protect Against Power Surges**

- Connect all external components before you plug any of their power cords into the wall outlet.
- Turn off the Entertainer before you connect or disconnect any cables.
- Make sure all antennas and cables are properly grounded.

## **Protect Components from Overheating**

- Don't block ventilation holes. Arrange any components so that air can circulate freely.
- Don't stack components.
- If you place the Entertainer on a stand, make sure you allow adequate ventilation.
- If you connect an external receiver or amplifier, place it away from the Entertainer so the heated air from it won't flow around it.

## **Position Cables Properly to Avoid Audio Interference**

- Insert each cable firmly into the designated jack.
- If you place components above the Entertainer, route all cables down the side of the back of the Entertainer instead of straight down the middle of the back of the Entertainer.
- If your antenna uses 300-ohm twin lead cables, do not coil the cables. Also, keep the twin lead cables away from audio/video cables.

## **Important Stand and Base Safety Information**

Choose the location for your Entertainer carefully. If the Entertainer is placed on a stand or base, ensure that it is of adequate size and strength to prevent it from being accidentally tipped over, pushed off, or pulled off. This could cause personal injury and/or damage to the Entertainer.

## **Use Indirect Light**

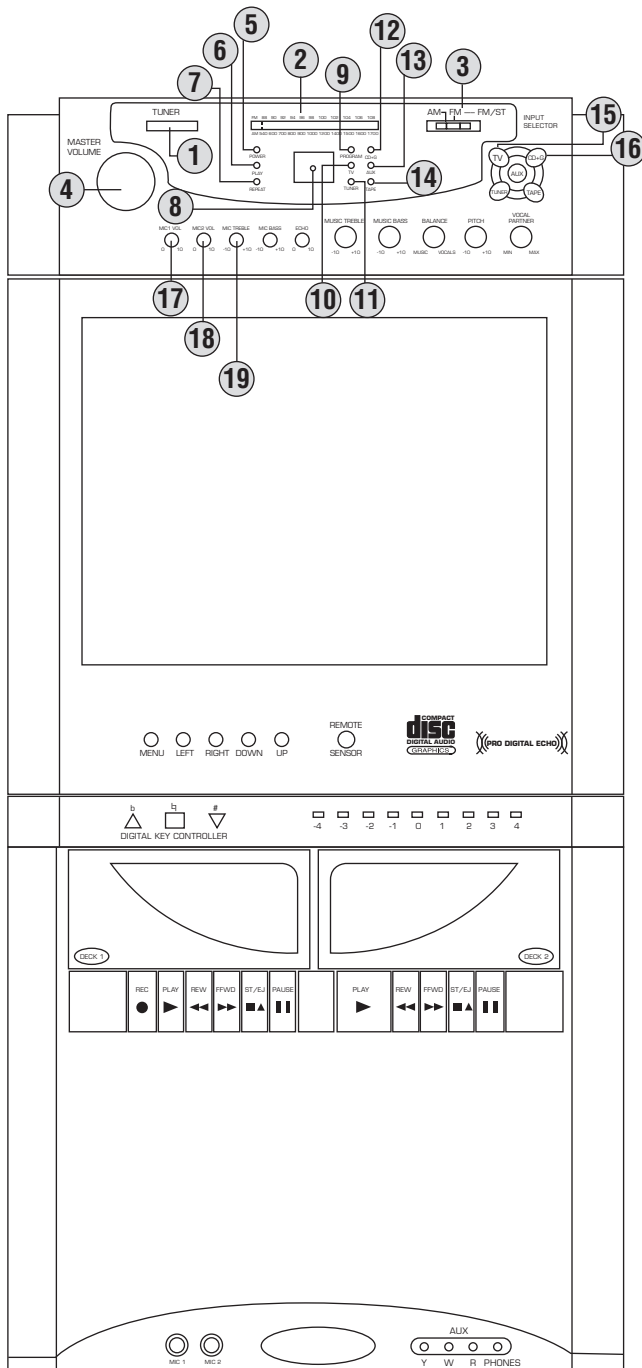
Don't place the Entertainer where sunlight or room lighting will be directed toward the screen. Use soft or indirect lighting.

## **FCC Compliance Notice**

This equipment has been tested and found to comply with the limits for a Class B digital device, pursuant to Part 15 of the FCC Rules. These limits are designed to provide reasonable protection against harmful interference when the equipment is operated in a commercial environment. This equipment generates, uses and can radiate radio frequency energy and, if not installed and used in accordance with the instruction manual, may cause harmful interference to radio communications. Operation of this equipment in a residential area is likely to cause harmful interference, in which case the user will be required to correct the interference at his own expense.



# Front Panel Descriptions



- 1. AM/FM TUNER** - Turn DIAL to tune in to a radio broadcast channel.
- 2. AM/FM SCALE** - Provides BAND FREQUENCIES for station location.
- 3. BAND SELECTOR** - Selects between AM/FM/FM-ST frequency bands.

**4. MASTER VOLUME** - Used to control the MASTER VOLUME for the system. Also used to set a maximum level for remote controlled volume changes in TV mode.

**5. POWER (LED) indicator** - Illuminates when the MAIN POWER is ON.

**6. PLAY (LED) indicator** - Illuminates during CD/CD+G playback.

**7. REPEAT (LED) indicator** - Blinks for TRACK REPEAT mode; is steady for REPEAT ALL mode.

**8. TRACK DISPLAY (LED) indicator** - Displays the TRACK NUMBER of the currently playing track.

**9. PROGRAM (LED) indicator** - Illuminates when a PROGRAM selection is in progress.

**10. TV (LED) indicator** - Illuminates when the TV TUNER is initiated.

**11. TUNER (LED) indicator** - Illuminates when the AM/FM TUNER is initiated.

**12. CD+G (LED) indicator** - Illuminates when the CD/CD+G played or initiated.

**13. AUX (LED) indicator** - Illuminates when an AUXILIARY device in initiated.

**14. TAPE (LED) indicator** - Illuminates when a CASSETTE tape playback.

**15. TV SELECTOR button** - Selects the TV TUNER for operation.

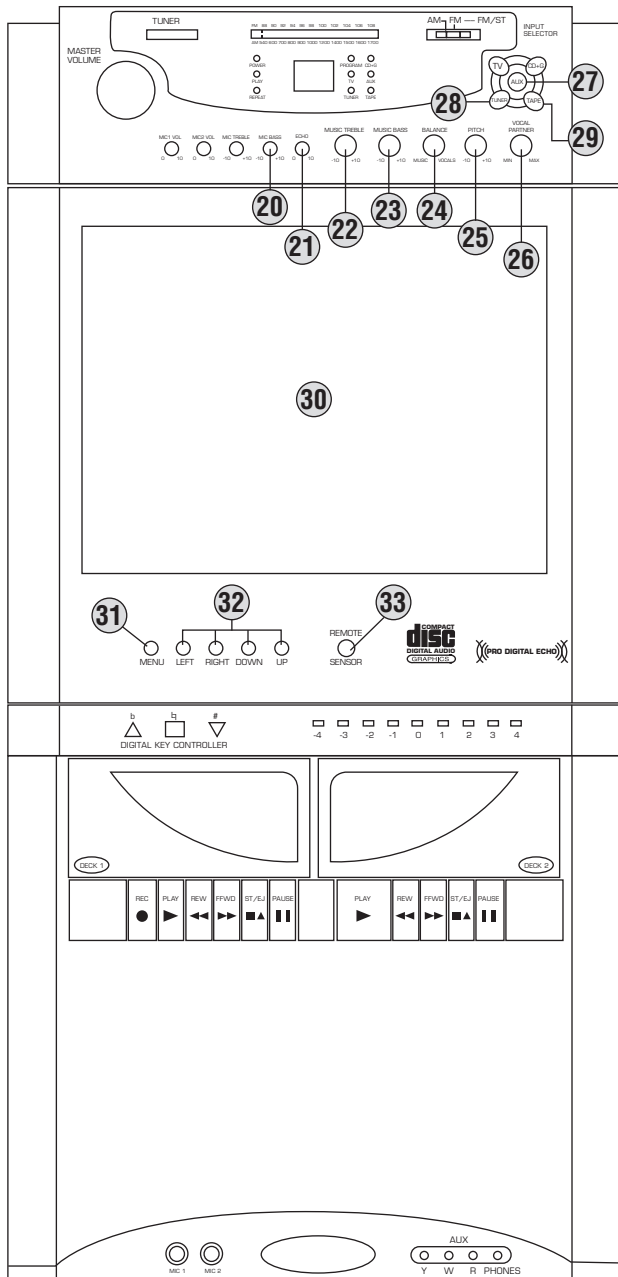
**16. CD+G SELECTOR button** - Selects the CD/CD+G player for operation.

**17. MIC 1 VOL control** - Used to control the volume output from MIC CHANNEL 1.

**18. MIC 2 VOL control** - Used to control the volume output from MIC CHANNEL 2.

**19. MIC TREBLE control** - Used to make HIGH FREQUENCY adjustments to the volume output from MIC CHANNELS 1 & 2.

# Front Panel Descriptions



**20. MIC BASS control** – Used to make LOW FREQUENCY adjustments to the volume output from MIC CHANNELS 1 & 2.

**21. ECHO control** – Used to control the amount of ECHO applied to MIC CHANNELS 1 & 2.

**22. MUSIC TREBLE control** – Used to make HIGH FREQUENCY adjustments to music output.

**23. MUSIC BASS control** – Used to make LOW FREQUENCY adjustments to music output.

**24. BALANCE control** – Used to balance AUDIO OUTPUT between the L and R channels.

**25. TAPE PITCH control** – Used to adjust TAPE SPEED (playback)  $\pm 10\%$ .

**26. V.PARTNER control** – Used to REMOVE the guide VOCALS from a multiplex recorded disc/tape. This feature is enabled when the sensor detects microphone activity (singing). At that time, the vocals are immediately removed. When you stop singing, the vocals are reintroduced to the mix automatically. To adjust the sensor's sensitivity, turn clockwise to increase, and counter-clockwise to decrease sensitivity.

**27. AUX SELECTOR button** – Selects the AUXILIARY device for operation.

**28. TUNER SELECTOR button** – Selects the AM/FM TUNER for operation.

**29. TAPE SELECTOR button** – Selects a CASSETTE tape for operation.

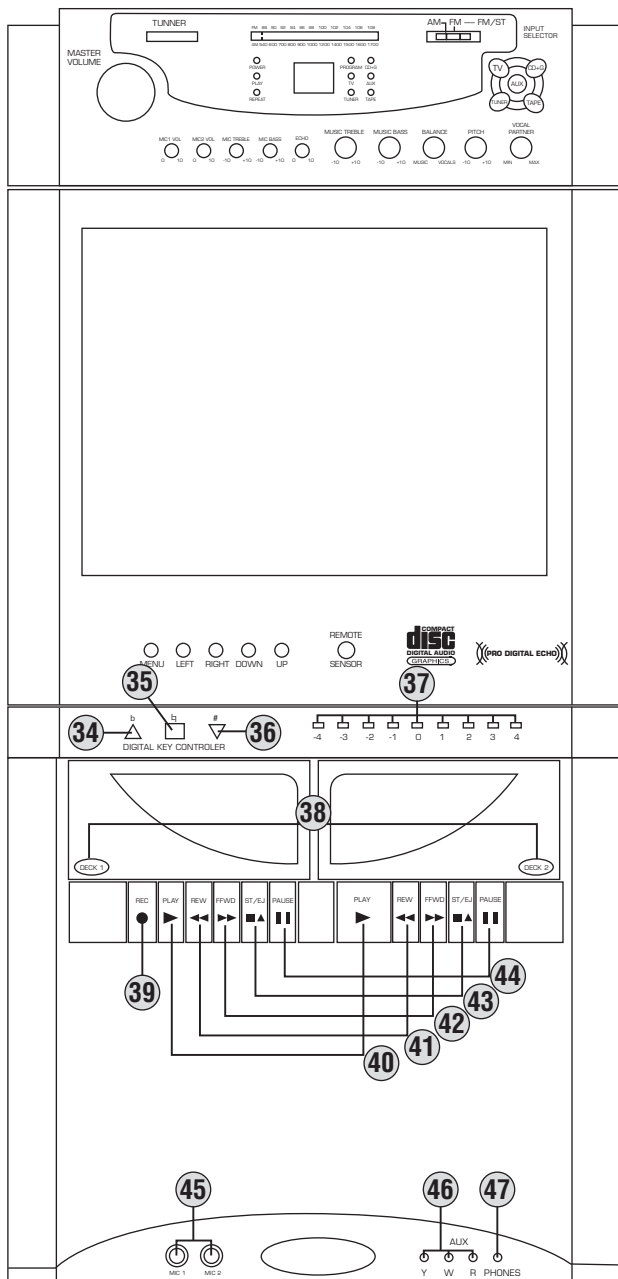
**30. TV SCREEN** – Displays all video signal output.

**31. MENU button** – Selects through the PICTURE, EXTRA and PRESET setup menus.

**32. NAVIGATION (◀▶) buttons** – Used to NAVIGATE and SELECT through menu windows.

**33. REMOTE CONTROL sensor** – Receives signal output from the REMOTE CONTROL.

# Front Panel Descriptions



**36. KEY DOWN ( ▽ ) button** - DECREASES the MUSICAL KEY a 1/2 note each time it is pressed.

**37. -4 & +4 KEY (LED) indicators** - Indicates the musical KEY that the audio is playing in.

**38. CASSETTE DECK 1 & 2** - Accepts audio CASSETTE TAPES for cassette playback.

**39. REC (•) button** - Initiates a cassette tape RECORDING when pressed simultaneously with the PLAY button. Cassette recording is only available on DECK 1.

**40. PLAY (▶) button** - Initiates a cassette tape PLAYBACK.

**41. REW (◀◀) button** - Used to REWIND a cassette tape.

**42. F.FWD (▶▶) button** - Used to FAST-FORWARD a cassette tape.

**43. STOP/EJECT (■▲) button** - Used to STOP a cassette playback when pressed once, and EJECT a cassette tape when pressed twice.

**44. PAUSE (||) button** - Used to PAUSE a cassette playback when pressed once, and continue playback when pressed twice.

**45. MIC 1 & 2 INPUT jacks** - Connects a MICROPHONE with 1/4" plugs.

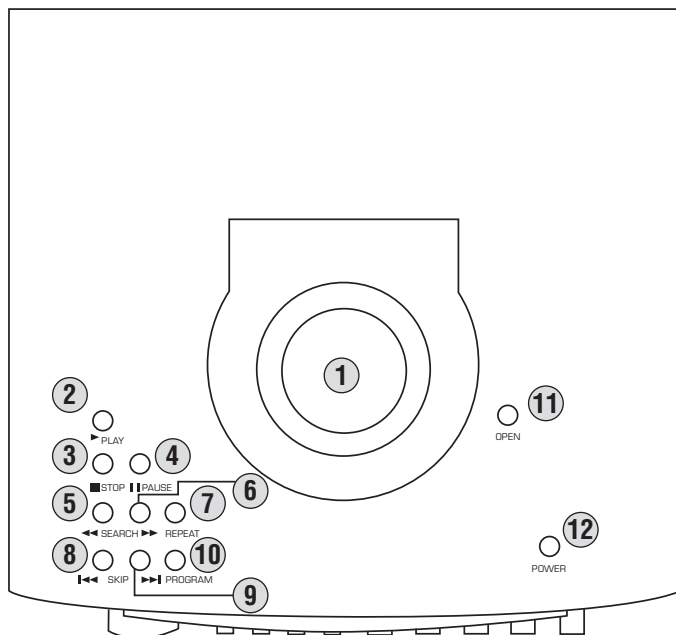
**46. AUX IN jacks** - Connects an external A/V device equipped with RCA-style A/V (L/R & VIDEO) output.

**47. HEADPHONES jack** - Connects HEADPHONES equipped with a 1/8" plug.

**34. KEY UP ( ▲ ) button** - INCREASES the MUSICAL KEY a 1/2 note each time it is pressed.

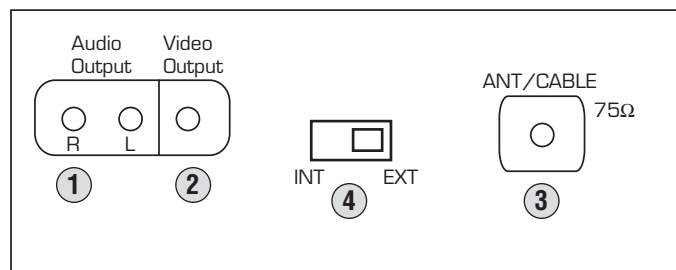
**35. KEY NEUTRAL ( □ ) button** - Returns the musical key back to its neutral key.

## Top Panel Descriptions



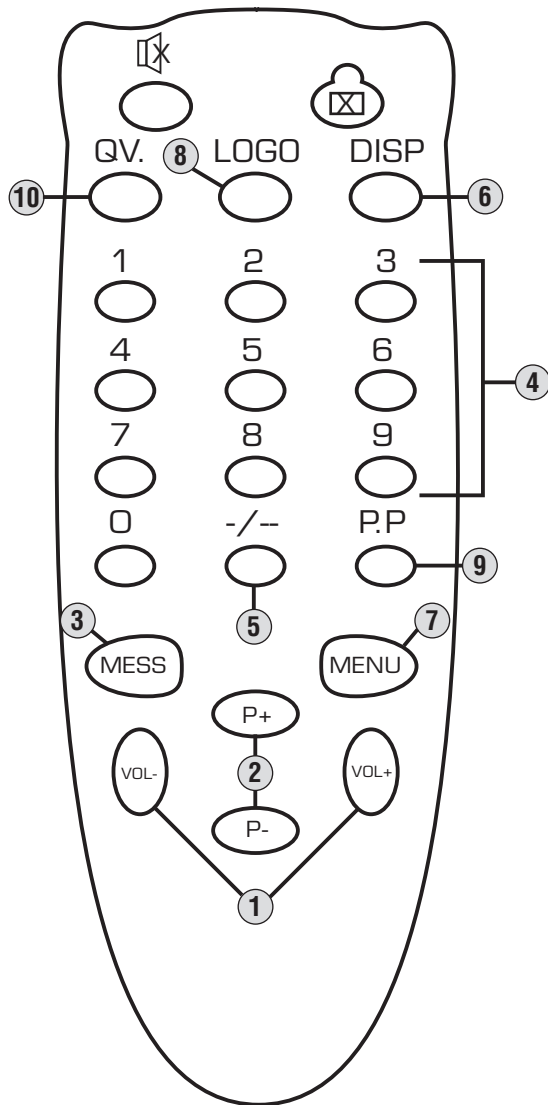
1. **CD TRAY** – Accepts 3" and 5" CD/CD+G discs for playback.
2. **PLAY (▶) button** – Press to START a CD/CD+G playback. Press again to Pause.
3. **STOP (■▲) button** – Press to STOP a CD/CD+G playback.
4. **PAUSE (||) button** – Press to PAUSE a CD/CD+G playback.
5. **SEARCH (◀▶) button** – Press to rapidly skip BACKWARD through a CD/CD+G track.
6. **SEARCH (▶▶) button** – Press to rapidly skip FORWARD through a CD/CD+G track.
7. **REPEAT button** – Press to initiate a REPEAT playback.
8. **SKIP (◀◀) button** – Press to go to the beginning of the current or previous CD/CD+G track.
9. **SKIP (▶▶) button** – Press to go to the beginning of the next CD/CD+G track.
10. **PROGRAM button** – Press to PROGRAM and initiate a selection of tracks for playback.
11. **CD TRAY OPEN button** – Press to OPEN the CD TRAY.
12. **POWER button** – Press to turn ON/OFF the MAIN POWER.

## Back Panel Descriptions



1. **AUDIO OUT jacks** – Connects to AUDIO INPUT jacks of an external audio system.
2. **VIDEO OUT jack** – Connects to a VIDEO INPUT jack of an external TV or Monitor.
3. **ANT/CABLE IN jack** – Receives ANTENNA/CABLE signals for broadcast reception.
4. **ANTENNA SELECTOR** - Used to select between the pull up antenna and 75Ω antenna jack. Select INT for pull up antenna use, and EXT for 75Ω antenna jack use.

# Remote Control Descriptions and Functions



1. **VOLUME ± button** – Used to adjust ± the MASTER VOLUME level.

**Note:** When making volume adjustments from the remote control, remember that the maximum volume will be governed by the setting of the master volume knob. **For example,** if the master volume knob is set to 25% the maximum volume from the remote control will be 25%. If more volume is needed, turn the master volume knob to a higher position.

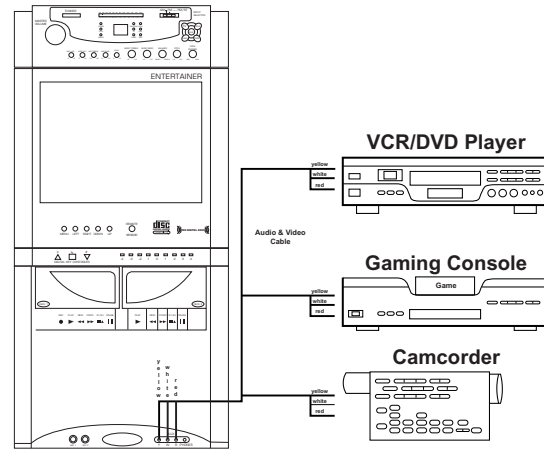
2. **CHANNEL ± button** – Used to move select ± through TV channels.
3. **MESS button** – Used to view the MESSAGE window.
4. **NUMBER PAD buttons** – Used to go directly to a TV channel.
5. **-/-- button** – Used to specify a single or double digit numeral for channel changes.
6. **DISP button** – Used to display current CHANNEL and VOLUME status or clear a menu window.
7. **MENU button** – Used to enter the main MENU window and execute a selection.
8. **NAVIGATION buttons** – Used to NAVIGATE and SELECT though menu windows.
9. **PP. button** – Used to enter the PICTURE window.
10. **QV. button** – Used to go back and forth from the current and previous TV channels.

**Note:** Remote Control functions are limited to TV use only.

# Getting Connected

## Connecting a VCR, Camcorder or Gaming Console

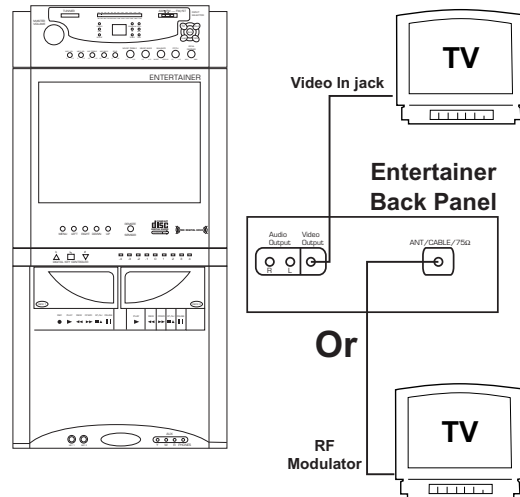
1. Connect the VCR/Camcorder/Game Console to the Entertainer
  - A. Connect an A/V patch cable from the AUDIO OUT/VIDEO OUT jacks on your VCR/Camcorder/Game Console to the AUX INPUT jacks located on the front bottom panel of the Entertainer.



## Connecting to an External TV

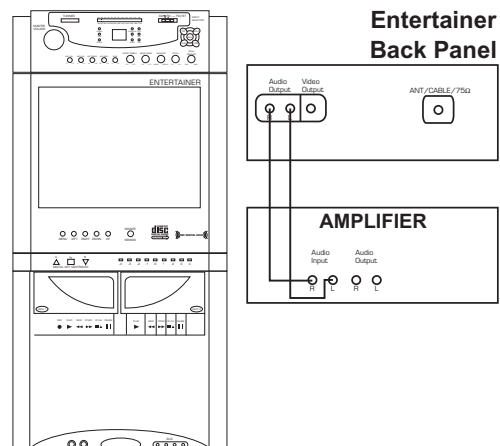
1. Connect the external TV to the Entertainer
  - A. Connect an RCA video cable from the VIDEO IN jack on your external TV to the VIDEO OUT jack on the Entertainer.

**Or**
2. Connect the external TV to the Entertainer through a RF Modulator (if TV is not equipped with a video input jack)
  - A. Connect an RCA video cable from the VIDEO OUT jack on the Entertainer to the VIDEO IN jack on the RF MODULATOR.
  - B. Connect ribbon leads from the RF MODULATOR to the VHF ANTENNA IN binding bolts.



## Connecting to an External Audio System

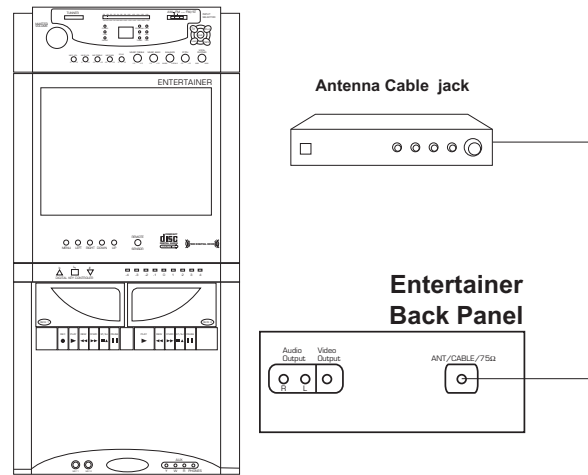
1. Connect the external audio system to the Entertainer
  - A. Connect an RCA audio cable from the AUDIO IN jacks on your external audio system to the AUDIO OUT jacks on the Entertainer.



# Getting Connected

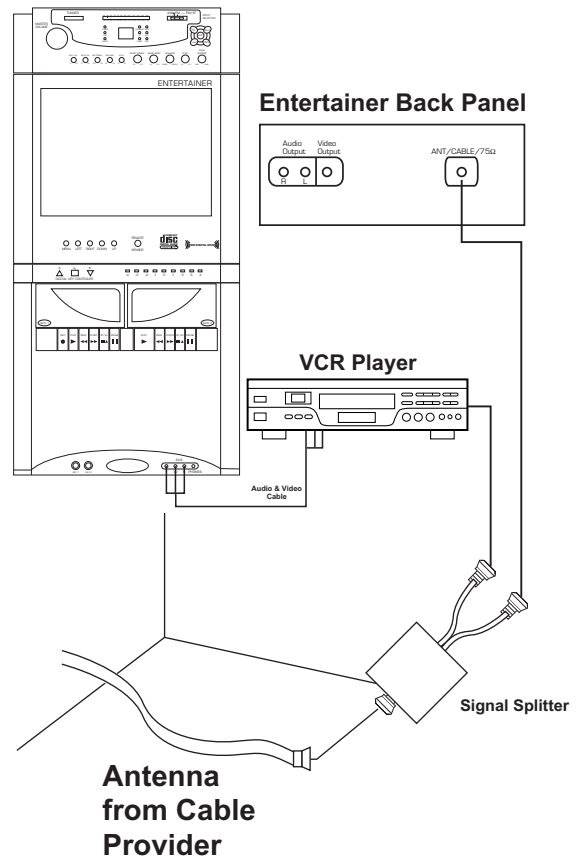
## Connecting a Cable Box

1. Connect the coaxial cable
  - A. Connect the coaxial cable provided by your cable provider to the ANT./CABLE IN jack on the Entertainer.



## Connecting a Cable Box and VCR

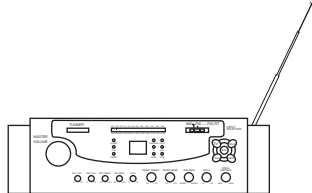
1. Connect Signal Splitter to the Entertainer and VCR
  - A. Obtain a Signal Splitter (not provided) to split the signal coming into the room from the cable source.
  - B. Connect a coaxial cable from the Signal Splitter and to the CABLE IN jack on the Entertainer.
  - C. Connect a coaxial cable from the Signal Splitter to the ANTENNA IN jack on the VCR.
2. Connect the TV to your VCR
  - A. Connect an A/V patch cable from the AUDIO OUT/VIDEO OUT jacks on your VCR/Camcorder/Game Console to the AUX INPUT jacks located on the front bottom panel of the Entertainer.



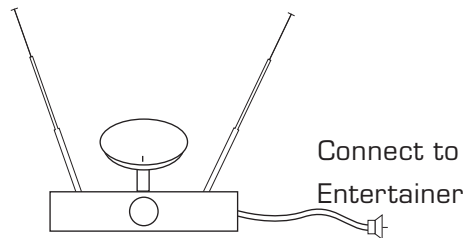
# Antenna/Channel Configuration

When setting up the Entertainer for broadcast reception, you have three possible antenna configurations to choose from depending on your preference and pre-existing accessories. Remember that the UHF antenna is internal, therefore, UHF reception is standard with all the configurations below. **MAKE SURE TO SET THE ANTENNA SELECTOR** on the rear panel prior to connecting an antenna.

- **Built-in Telescopic Antenna** – The antenna that comes standard-equipped with the Entertainer. This antenna will receive VHF frequencies only and requires no additional wiring or accessories. Select INT on the antenna selector for this antenna.

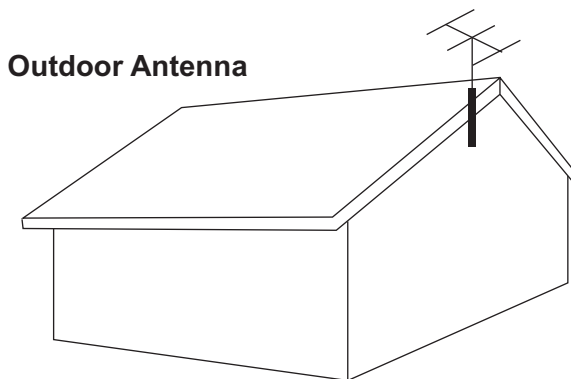


- **External VHF Combo Antenna** – These antennas can be purchased at most electronic stores. They are usually equipped with a tuning dial and a gain booster on the receiver to better receive broadcast reception. These antennas usually connect to the 75-Ohm coaxial jack. Select EXT on the antenna selector for this antenna.



**Note:** If you use this antenna type, you will not be able to also connect a coaxial cable line as the coaxial jack will already be in use.

- **Outdoor Antenna lead-in** – These antenna lead-ins route from outdoor antennas (usually roof-mounted) into homes via wall mounts. Usually they are 300-Ohm ribbon leads. To use this type of antenna you would need to obtain a 300-Ohm to 75-Ohm coaxial adapter. Select EXT on the antenna selector for this antenna.



- **Cable-in** – Standard Coaxial Cable-in provides cable access. The Cable plugs into the Coaxial Jack. Select EXT on the antenna selector for this antenna.

Once you have decided which antenna configuration you will use, the next step is to set the Entertainer's antenna setting to the correct position. To do this, refer to the previous Antenna section in the Preset Menu.



# OSD Descriptions and Functions

---

## Preset Menu

The PRESET menu allows you to select and setup your TV for broadcast channels, select an antenna type, delete channel(s) from roster and perform a channel auto-search.

To enter the PRESET menu, hit the MENU button the Remote Control three times or press the MENU button on the front panel three times. Use the NAVIGATION buttons to maneuver through and execute from the possible settings.

## Channel

The CHANNEL line is used to change the channel while the PRESET window is still superimposed on the screen for adjustments.

## Delete

The DELETE line is used to delete a channel from the channel roster. Use the CHANNEL line (above) to find the channel you want to delete, then go to the DELETE line and press the RIGHT arrow to delete it. To add a channel back to the channel roster, repeat the steps to delete channel.

**Note:** Even though a channel is deleted, you can still access it by manually entering the channel with the NUMBER PAD.

## Antenna

**When setting up your antenna it is recommended to first set the Antenna Selector. (see pg 12).**

The antenna line is used to select the antenna you are using to for broadcast reception. You can choose from AIR or CABLE:

- **AIR** - Built in Antenna, external antenna lead-ins connected to 75-ohm jack.
- **CABLE** - For a cable-in lead from cable provider to 75-ohm jack only.

## Auto Search

The Auto Search feature scans all channels available and determines whether or not the frequency/channel is “active” and added to the channel roster. If available, the channel is programmed and then selectable via the channel controls. If not deemed active, the channel will not appear in the channel roster. You can still direct input the channel via the remote control, however reception will not be satisfactory. It would then be recommended to reconfigure your antenna setup, and repeat the channel search. Be sure to auto-search after an antenna configuration.

**Note:** Preset menu is only available when TV Function is selected on the Input Selector.

# OSD Descriptions and Functions

---

## Picture Menu

The PICTURE menu allows you to fine-tune the DISPLAY PROPERTIES for the TV screen. You can either choose from the three presets: Hi-Bright, Mild and Natural, or customize your own setting with the Memory setting.

To enter the PICTURE menu, hit the PP. button the Remote Control, or press the MENU button on the front panel. Use the NAVIGATION buttons to maneuver through and execute from the possible settings. To make a selection, press the RIGHT arrow.

**Note:** You can only customize the color, brightness, contrast, sharpness and tint properties in the Memory screen.

## Extra Menu

The EXTRA menu allows you to access the MESSAGE BOARD, CALENDAR and TETRIS/SNAKE GAMES screens.

To enter the EXTRA menu, hit the MENU button the Remote Control twice or press the MENU button on the front panel twice. Use the NAVIGATION buttons to maneuver through and execute from the possible settings.

### Message Board Screen

The Message Board screen allows you to program an alphanumeric text message that can appear on-screen when selected. The message can be up 64 characters long (spaces included) with available characters being: 0-9, A-Z, dashes, colons, periods and spaces. When programming the message, the UP ARROW will move the cursor left, the DOWN ARROW will move the cursor right, the LEFT and RIGHT ARROW'S select through the available characters. The text is saved automatically upon exiting the message board screen.

### Calendar Screen

The Calendar screen allows you select from the years of 1951-2050. Each year can be viewed by month. This can be useful in long term planning and extrapolating historic dates. To maneuver, the LEFT and RIGHT arrows move through the months, while the UP and DOWN arrows move through the years.

### Games (Tetris and Snake)

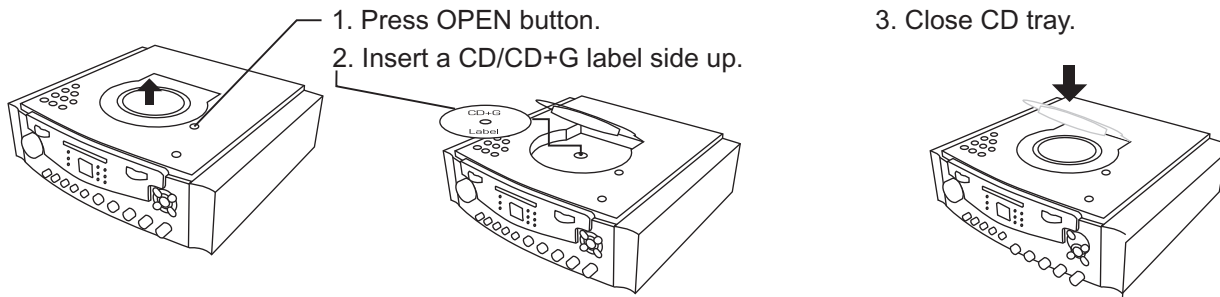
The Entertainer has two built-in Video Games that superimpose on the TV screen. For both the TETRIS and SNAKE games, position the cursor to the game you wish to play and press the RIGHT to start.

**Note:** In-game controls are displayed before the game is started.

# Advanced Operations

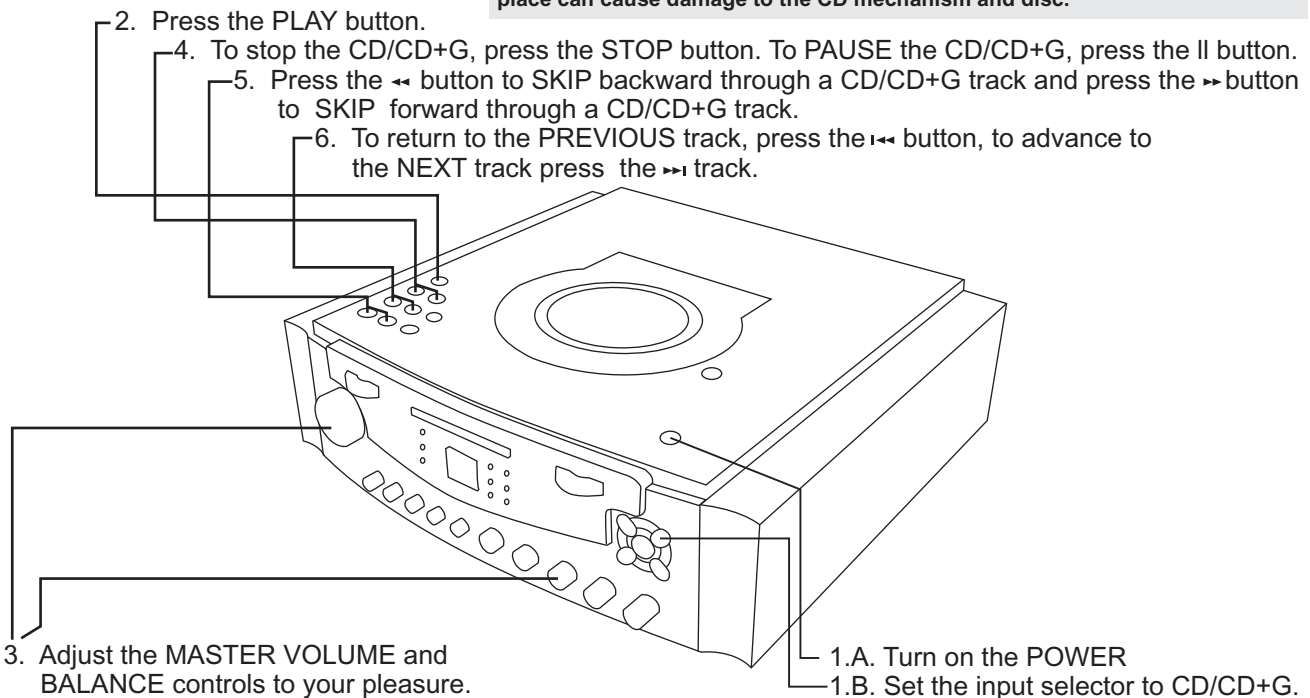
## CD/CD+G Operation

### Loading and Unloading CD/CD+G's



**Notes:** To ensure firm locking of the CD tray, please press on the CD tray at the LEFT MODE position until a 'click' sound is heard. **Before operating the CD/CD+G player for the first time, please make sure the neoprene bushing has been removed from the CD tray. attempting to play a disc with the bushing still in place can cause damage to the CD mechanism and disc.**

### CD/CD+G Playback



### CD/CD+G Playback Modes

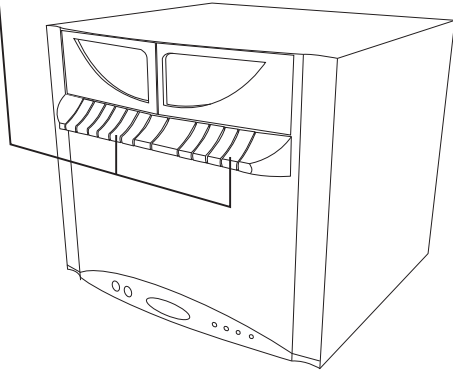
- REPEAT TRACK Mode** – Repeat Track mode is used to continually repeat a single CD/CD+G track. To enter Repeat Track mode, press the REPEAT button one (look for blinking light on the REPEAT LED). To exit Repeat Track mode, press the REPEAT button twice more.
- REPEAT ALL Mode** – Repeat All mode is used to continually repeat ALL the tracks on a CD/CD+G disc. To enter Repeat All mode, press the REPEAT button twice (look for the steady light on the REPEAT LED). To exit Repeat All mode, press the REPEAT button once more.
- PROGRAM Mode** – Program mode is used to program a selection of tracks for consecutive playback. To enter Program mode, press the PROGRAM button. You will see “Pr” blinking in the track display and a blinking light in the PROGRAM LED. Press the <<< >>> button's to maneuver through possible track selections. When you want to program a track, press the PROGRAM button. Repeat this process till you have programmed all the desired tracks. To start the programmed playback, press PLAY. To exit the Program Mode, press the PROGRAM button again.

# Advanced Operations

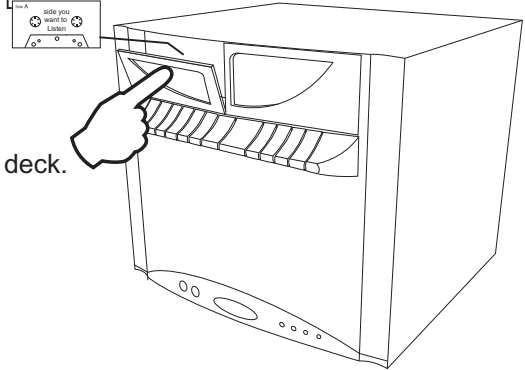
## Cassette Operation

### Loading and Unloading Cassettes

1. Press the STOP/EJECT button.



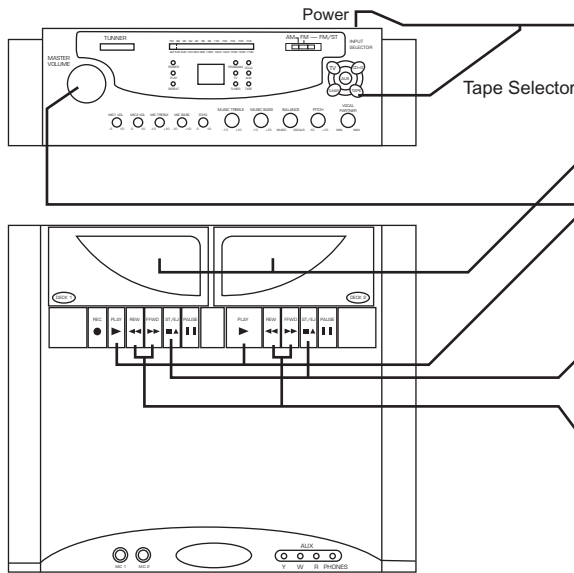
2. Insert a cassette tape with the desired side facing you with tape surface down.



3. Close the cassette deck.

**Note:** To ensure firm locking of cassette holder/tape covers, please press the cassette door(s) at the center point (or the rightmost positions) until a 'click' sound is heard.

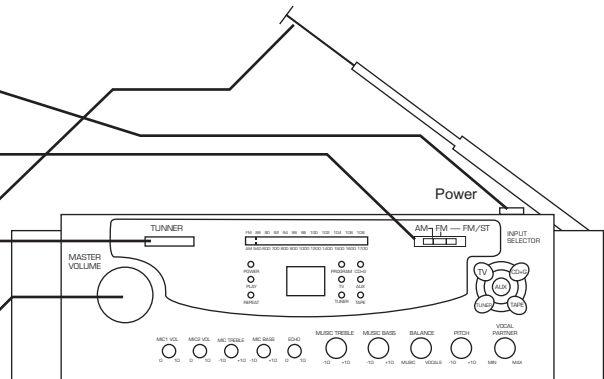
### Cassette Playback



1. Turn on POWER and press the TAPE function button.
2. Load a cassette into the cassette tray.
3. Press the PLAY button.
4. Adjust the MASTER VOLUME, and BALANCE controls to your liking.
5. To stop tape playback, press the STOP/EJECT button on that deck once. (Press a second time to eject the tape.) To PAUSE the cassette, press the II button.
6. Press the << button to REWIND a cassette tape and press the >> to FAST-FORWARD.

### AM/FM Tuner Operation

1. Turn on the POWER.
2. Press the TUNER function button.
3. Switch BAND selector to either AM/FM/FM ST radio position.
4. The AM antenna is built-in. For FM reception, use the telescopic antenna for best reception.
5. Turn tuning knob to select desired station as indicated on dial.
6. Adjust MASTER VOLUME to your pleasure.

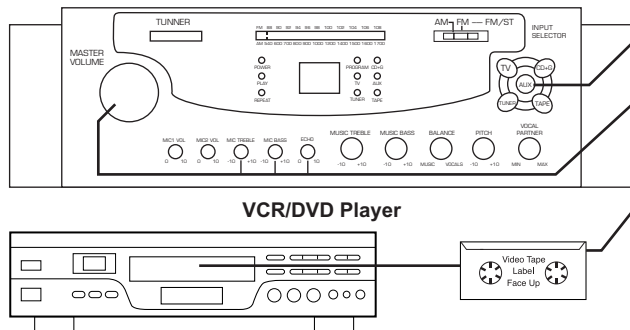




# Advanced Operations

## Karaoke with a VHS Cassette

1. Refer to and follow the instructions for “Connecting a VCR, Camcorder or Gaming Console”. (on pg 14)
2. Refer to and follow the instructions for Microphone Operation. (on pg 21)

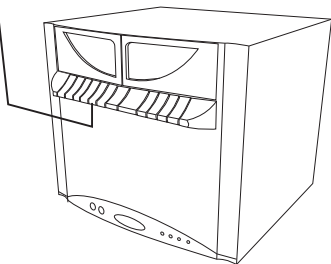


3. Press the AUX function button.
4. Adjust MASTER VOLUME, DIGITAL ECHO, TREBLE and BASS controls.
5. Load the videocassette and then start playback.
6. Begin singing and your voice will be mixed with the playback output and heard through the speaker.

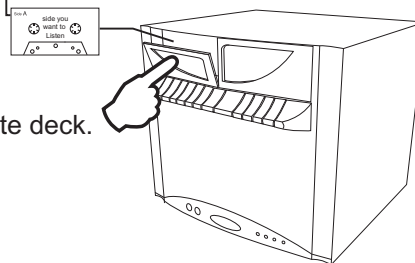
## Recording Karaoke with Cassette

### Load a blank cassette tape into Deck 1.

- 1.A. Press the STOP/EJECT button.



- 1.B. Insert a cassette tape with the desired side facing you with tape surface down.

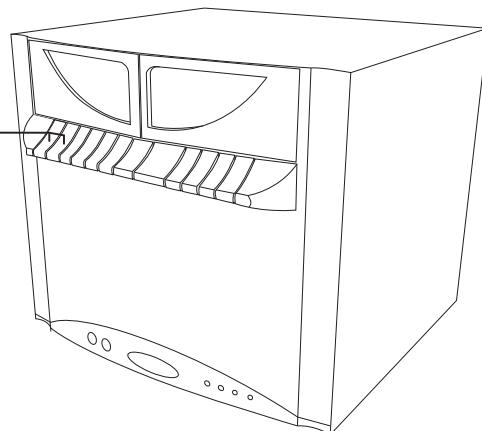


- 1.C. Close the cassette deck.

**Note:** To ensure firm locking of cassette holder/tape covers, please press the cassette door(s) at the center point (or the rightmost positions) until a 'click' sound is heard.

2. Refer to and follow the instructions for the function that you are going to sing with and prepare the media for playback. Press the PLAY button on that function's control set.

3. Press both the RECORD and PLAY buttons on Deck 1 at the same time. The mixed output of your voice and audio will be recorded onto the blank tape.

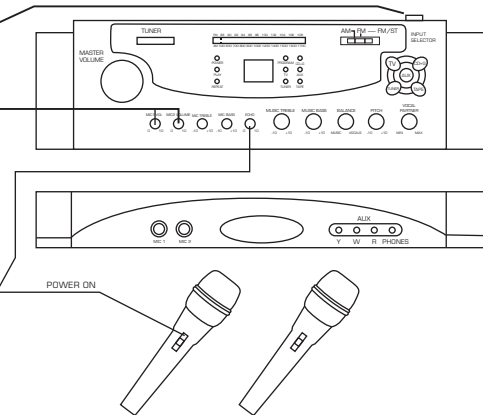


# Advanced Operations

## Using the VSCTV-3513 as a PA (Public Address)

The VSCTV-3513 can be used as a PA (Public Address System).

1. Connect the supplied Microphone to either one of the MIC inputs.
2. Press the POWER switch to turn the unit On.
3. Move the MIC VOLUME control to central position.
4. Move the ON/OFF switch located on the Microphone to ON position and speak or Sing to the Microphone. The Microphone sensitivity and loudness could be adjusted as required by turning the MIC VOLUME control and/or MASTER VOLUME control.
5. To add depth or ambiance to your voice, adjust the DIGITAL ECHO, controls until the desired effect is obtained.



**Note:** To prevent feedback or whistling from occurring, please be sure that the microphone is not pointed at the speaker system or has too much.

## Using the Pitch Control to Adjust Tape Speed

The Pitch control allows you increase or decrease the speed at which the tape is played. By increasing the speed of the tape, the audio also sounds higher and vice versa when you decrease the speed. This is very handy when you would like to sing a song faster or slower. Turn clockwise decrease pitch, and counter-clockwise to increase pitch.

## Using Vocal Partner and Vocal Sensitivity Control

When playing Multiplex recorded software, you can use the V.Partner feature to remove the vocal layer from playback. When the Vocal feature is activated, the vocal layer on a multiplex recording is eliminated as soon as the singer begins singing into the microphone. When the singer stops singing, the vocals on the multiplex recording are automatically returned to playback. This function is useful for practicing duo sessions when a singer is performing solo. To enable V. Partner, turn the sensitivity control clockwise till the guide vocals disappear from the mix. Leave the setting after your voice level has been set. To remove the V.Partner feature, turn the V.Partner fully counter Clockwise.

**Note:** The Vocal feature only works with multiplex recorded software.

# Troubleshooting

<b>No sound coming from selected music source</b>	No power plug connections at the AC outlet.	Insert the power plug into the AC outlet.
<b>No sound.</b>	Master Volume control is set to a minimum.	Turn up the Master volume.
	The wrong function is selected on the Input selector.	Select the correct function.
<b>CASSETTE is unsteady tape sound</b>	Dirty capstan mechanism.	Clean capstan thoroughly.
	Irregular cassette tape movement.	Replace the cassette tape.
	Pitch control may be set to the wrong position.	Adjust the Pitch control.
<b>Cannot record</b>	The cassette tape erasure prevention tabs have been removed.	Fill holes with tape or cover tab openings with adhesive tape.
	Play and Record buttons were not pressed down simultaneously.	When recording, make sure both the Record and Play buttons are pressed at the same time.
<b>Recorded tape sound is distorted</b>	Dirty head mechanism.	Clean capstan thoroughly.
	Faulty cassette tape.	Replace the cassette tape.
<b>CD PLAYER will not work normally.</b>	Disc has been inserted upside down, is terribly dirty, scratched, warped.	Insert the CD/CD+G disc correctly, Wipe very clean with soft cloth evenly. use a new disc if is not reading correctly.
	A non-standard disc has been inserted, Moisture has formed inside the CD deck or unit	Try to use only brand name discs, Wait about 1 to 2 hours to let it dry.
<b>No song lyrics appear on screen.</b>	Wrong function is selected on the Input selector.	Select CD+G on the Input Selector.
	Video cable to the TV Is not connected properly.	Connect the video cable to the VSCTV-3513's VIDEO OUT and to the TV's VIDEO IN.
	Input selector on external TV is not set to VIDEO,	Select VIDEO Input on external TV.
	TV is not equipped with video a line input.	Connect a cable from the VIDEO OUT jack of the system to the AUX IN jack of your VCR, or use RF Modulator
<b>No TV reception.</b>	Telescopic antenna is set out of direction.	Turn the telescopic antenna to get the best reception or use an external antenna.
<b>Picture is jumping up</b>	Display settings are not set correctly.	Adjust the Display Settings.