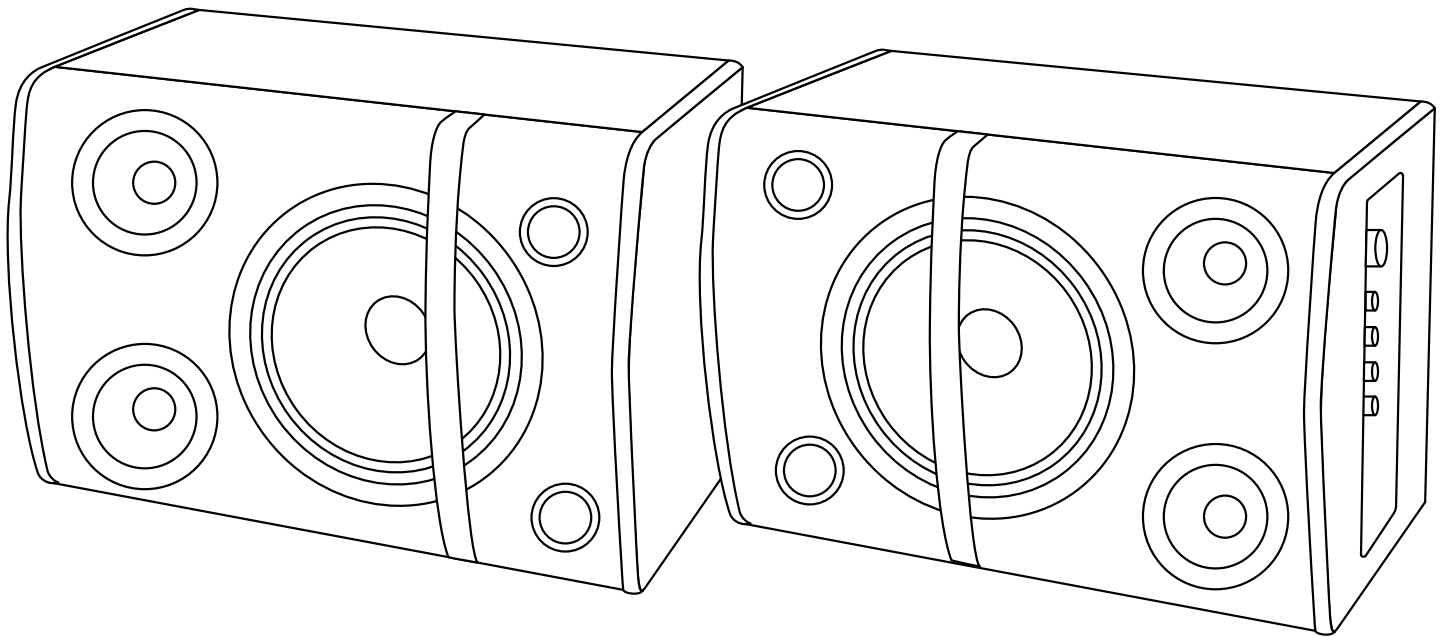


VOCOPro®

Trusted by
Professionals
Since 1991



Karaoke-Fan

Karaoke Powered Speaker with Bluetooth, MP3, FM,
and LED Light Effects

OWNER'S MANUAL

WELCOME

And thank you for purchasing Karaoke-Fan from VocoPro. Along with quality products our commitment to customer satisfaction means we have technical support professionals ready to assist you. Be sure to visit our website- www.vocopro.com for the latest information on new products.



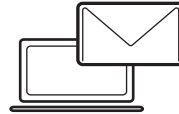
We are at:

VocoPro
1728 Curtiss Court
La Verne, CA 91750



Phone:

Toll Free: 800-678-5348
TEL: 909-593-8893



FAX: 909-593-8890

Tech Support:

techsupport@vocopro.com

Customer Service:

info@vocopro.com

Legal Disclaimer

All rights reserved. Information, specifications, diagrams, images, and instructions herein are subject to change without notice. VocoPro Products, logo and identifying product names and numbers herein are trademarks of VocoPro. Copyright protection claimed includes all forms and matters of copyrightable materials and information now allowed by statutory or judicial law or hereinafter granted. Product names used in this document may be trademarks or registered trademarks of their respective companies and are hereby acknowledged. All non-VocoPro Products, brands and product names are trademarks or registered trademarks of their respective companies.

VocoPro hereby disclaims any and all liabilities for property, equipment, building, and electrical damages, injuries to any persons, and direct or indirect economic loss associated with the use or reliance of any information contained within this document, and/or as a result of the improper, unsafe, insufficient and negligent assembly, installation, rigging, and operation of this product.

Please record the model number and serial number below, for easy reference, in case of loss or theft. These numbers are located on the packaging the item came in. Space is also provided for other relevant information.

This is not considered a receipt. Please keep a copy of your purchase receipt, provided by the dealer, in your records. A receipt is required for all warranty work.

Model Number

Serial Number

Date of Purchase

Place of Purchase

Listening for a Lifetime

Selecting fine audio equipment such as the unit you've just purchased is only the start of your musical enjoyment. Now it's time to consider how you can maximize the fun and excitement your equipment offers. VocoPro and the Electronic Industries Association's Consumer Electronics Group want you to get the most out of your equipment by playing it at a safe level. One that lets the sound come through loud and clear without annoying blaring or distortion and, most importantly, without affecting your sensitive hearing.

Sound can be deceiving. Over time your hearing "comfort level" adapts to a higher volume of sound. So what sounds "normal" can actually be loud and harmful to your hearing. Guard against this by setting your equipment at a safe level BEFORE your hearing adapts.

To establish a safe level:

- Start your volume control at a low setting.
- Slowly increase the sound until you can hear it comfortably and clearly, and without distortion.

Once you have established a comfortable sound level:

- Set the dial and leave it there.
- Pay attention to the different levels in various recordings.

Taking a minute to do this now will help to prevent hearing damage or loss in the future. After all, we want you listening for a lifetime.

Used wisely, your new sound equipment will provide a lifetime of fun and enjoyment. Since hearing damage from loud noise is often undetectable until it is too late, this manufacturer and the Electronic Industries Association's Consumer Electronics Group recommend you avoid prolonged exposure to excessive noise. This list of sound levels is included for your protection.

Level	Example
30	Quiet library, Soft whispers
40	Living room, Refrigerator, Bedroom away from traffic
50	Light traffic, Normal Conversation
60	Air Conditioner at 20 ft., Sewing machine
70	Vacuum cleaner, Hair dryer, Noisy Restaurant
80	Average city traffic, Garbage disposals, Alarm clock at 2 ft.

The following noises can be dangerous under constant exposure:

Level	Example
90	Subway, Motorcycle, Truck traffic, Lawn Mower
100	Garbage truck, Chainsaw, Pneumatics drill
120	Rock band concert in front of speakers
140	Gunshot blast, Jet plane
180	Rocket launching pad

-Information courtesy of the Deafness Research Foundation

Safety Instructions



CAUTION RISK OF SHOCK



CAUTION: To reduce the risk of electric shock, do not remove cover (or back). No user-serviceable parts inside. Only refer servicing to qualified service personnel.

Explanation of Graphical Symbols



The lightning flash & arrowhead symbol, within an equilateral triangle, is intended to alert you to the presence of danger.



The exclamation point within an equilateral triangle is intended to alert you to the presence of important operating and servicing instructions.

WARNING: To reduce the risk of fire or electric shock, do not expose this unit to rain or moisture.

1. Read Instructions - All the safety and operating instructions should be read before the appliance is operated.
2. Retain Instructions - The safety and operating instructions should be retained for future reference.
3. Heed Warnings - All warnings on the appliance and in the operating instructions should be adhered to.
4. Follow Instructions - All operating and use instructions should be followed.
5. Attachments - Do not use attachments not recommended by the product manufacturer as they may cause hazards.
6. Water and Moisture - Do not use this unit near water. For example, near a bathtub or in a wet basement and the like.
7. Carts and Stands - The appliance should be used only with a cart or stand that is recommended by the manufacturer.
 - 7 A. An appliance and cart combination should be moved with care. Quick stops, excessive force, and uneven surfaces may cause an overturn.
8. Ventilation - The appliance should be situated so its location does not interfere with its proper ventilation. For example, the appliance should not be situated on a bed, sofa, rug, or similar surface that may block the ventilation slots.
9. Heat - The appliance should be situated away from heat sources such as radiators, heat registers, stoves, or other appliances (including amplifiers) that produce heat.



10. Power Sources - The appliance should be connected to a power supply only of the type described in the operating instructions or as marked on the appliance.

11. Grounding or Polarization - Precautions should be taken so that the grounding or polarization means of an appliance is not defeated.

12. Power-Cord Protection - Power-supply cords should be routed so that they are not likely to be walked on or pinched by items placed upon or against them, paying particular attention to cords at plugs, convenience receptacles, and the point where they exit from the appliance.

13. Cleaning - Unplug this unit from the wall outlet before cleaning. Do not use liquid cleaners or aerosol cleaners. Use a damp cloth for cleaning.

14. Power lines - An outdoor antenna should be located away from power lines.

15. Non-use Periods - The power cord of the appliance should be unplugged from the outlet when left unused for a long period of time.

16. Object and Liquid Entry - Care should be taken so that objects do not fall and liquids are not spilled into the enclosure through openings.

17. Damage Requiring Service - The appliance should be serviced by qualified service personnel when:

- A. The power supply cord or plug has been damaged; or
- B. Objects have fallen into the appliance; or
- C. The appliance has been exposed to rain; or
- D. The appliance does not appear to operate normally or exhibits a marked change in performance; or
- E. The appliance has been dropped, or the enclosure damaged.

18. Servicing - The user should not attempt to service the appliance beyond that described in the operating instructions. All other servicing should be referred to qualified service personnel.

Note: To CATV system installer's (U.S.A.): This reminder is provided to call the CATV system installer's attention to Article 820-40 of the NEC that provides guidelines for proper grounding and, in particular, specifies that the cable ground shall be connected as close to the point of cable entry as practical.



This device complies with Part 15 of the FCC rules. Operation is subject to the condition that this device may not cause harmful interference.

FCC license may be required

FCC Information

1. **IMPORTANT NOTICE: DO NOT MODIFY THIS UNIT!**
This product, when installed as indicated in the instructions contained in this manual, meets FCC requirements. Modifications not expressly approved by Vocopro may void your authority, granted by the FCC, to use this product.

2. **IMPORTANT:** When connecting this product to accessories and/or another product use only high quality shielded cables. Cable(s) supplied with this product **MUST** be used. Follow all installation instructions. Failure to follow instructions could void your FCC authorization to use this product in the U.S.A.

3. **NOTE:** This product has been tested and found to comply with the requirements listed in FCC Regulations, Part 15 for Class "B" digital devices. Compliance with these requirements provides a reasonable level of assurances that your use of this product in a residential environment will not result in harmful interference with other electronic devices. This equipment generates/uses radio frequencies and, if not installed and used according to the instructions found in the owner's manual, may cause interference harmful to the operation of other electronic devices. Compliance with FCC regulations does not guarantee that interference will not occur in all installations. If this product is found to be the source of interference, which can be determined by turning the unit "Off" and "On", please try to eliminate the problem by using one of the following measures:

Relocate either this product or the device that is being affected by the interference.

Use power outlets that are on different branch (circuit breaker or fuse) circuits or install AC line filter(s).

In the case of radio or TV interference, relocate/reorient the antenna. If the antenna lead-in is 300-ohm ribbon lead, change the lead-in to coaxial type cable.

If these corrective measures do not produce satisfactory results, please contact your local retailer authorized to distribute Vocopro products. If you can not locate the appropriate retailer, please contact Vocopro, 1728 Curtiss Court, La Verne, CA 91750.

Voltage Selector (General Model Only)

Be sure to position the voltage selector to match the voltage of your local power lines before installing the unit.



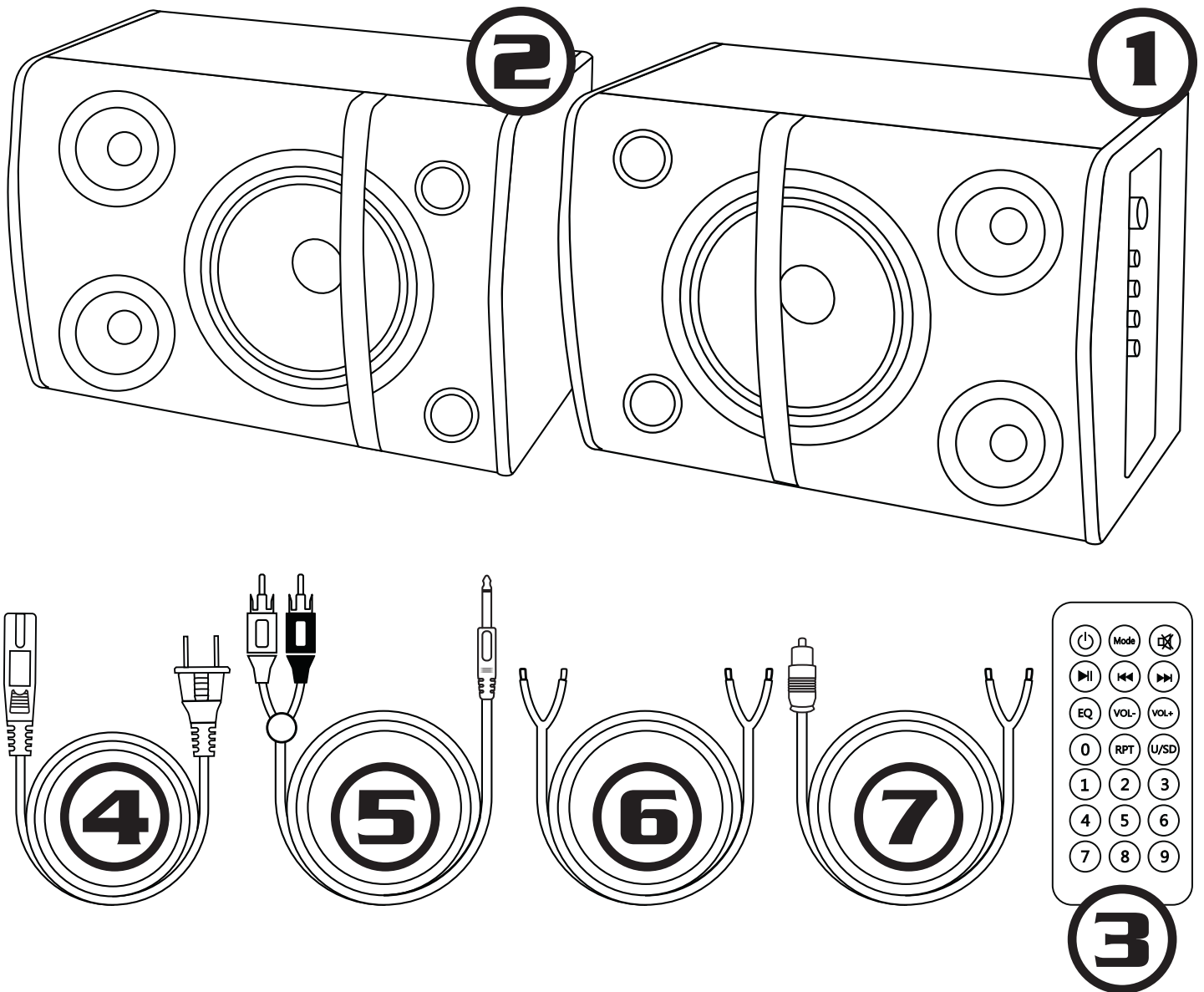
CAUTION: The apparatus is not disconnected from the AC power source so long as it is connected to the wall outlet, even if the apparatus itself is turned off. To fully ensure that the apparatus is indeed fully void of residual power, leave unit disconnected from the AC outlet for at least fifteen seconds.

CALIFORNIA PROP 65 WARNING

⚠ WARNING: Cables, Cable Assemblies, and Printed Circuit Boards can expose you to chemicals including lead and lead compounds which are known to the State of California to cause cancer and birth defects or other reproductive harm. For more information, go to www.P65Warnings.ca.gov

What's in the Box

1. Karaoke Fan powered main speaker
2. Karaoke Fan passive secondary speaker
3. Remote
4. AC Power Cord (2-prong)
5. RCA to 1/8" Audio Cable
6. Speaker Wire with Raw Wire Ends
7. RCA to Speaker Wire LED Power Cable



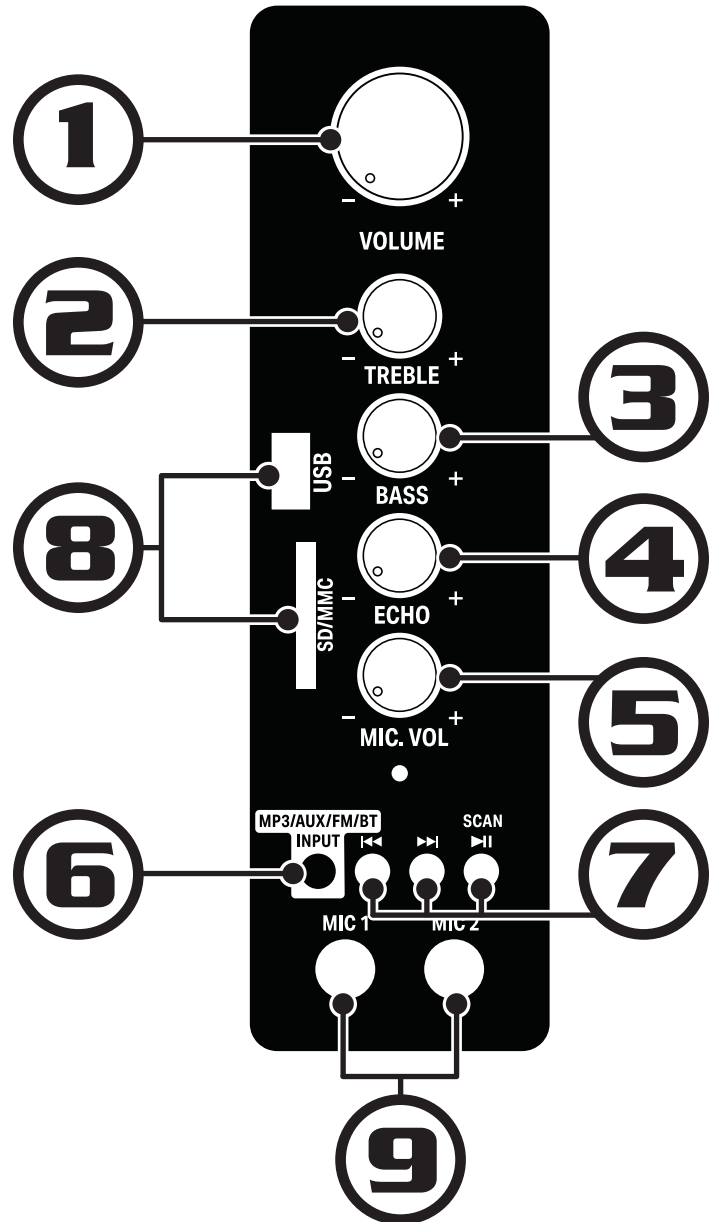
Functions and Descriptions

Side Panel

1. **Volume:** Use this knob to control the music output volume. Turn clockwise to increase the volume.
2. **Treble:** Turn to increase or decrease the treble level for the music audio. Put in the center (12 o'clock) for unaltered sound. Treble is for the high frequency sounds.
3. **Bass:** Turn to increase or decrease the bass level for the music audio. Put in the center (12 o'clock) for unaltered sound. Bass is for the low frequency sounds.
4. **Echo:** Use this knob to add an echo effect to the microphones. Turning clockwise will add more echo. Echo is a repeating effect that will make it sound like you are singing in a large room. Adding some echo will help your vocals 'sink' into the music and mix together better.
5. **Mic Volume:** Use this knob to adjust the volume for both Mic 1 and Mic 2 inputs. Turn clockwise to increase the volume.
6. **Input:** Press this button to cycle through the available audio sources; USB and SD, AUX In, FM radio, and Bluetooth.
7. **Playback Control Buttons (Back, Next, Play/Pause):** When in Bluetooth, USB, or SD modes, use these buttons to skip back to the previous song, forward to the next song, or pause and play the current song.

When in FM mode, press Play to scan for available radio stations. Once the system is done scanning for stations and making presets, use the Next and Back buttons to switch between those preset stations.

Note: *The system creates preset stations based on the signal strength. If it does not create a preset for a local radio station, that station's signal strength is not strong enough to be picked up by the Karaoke Fan. Try moving the system to another location and scanning again.



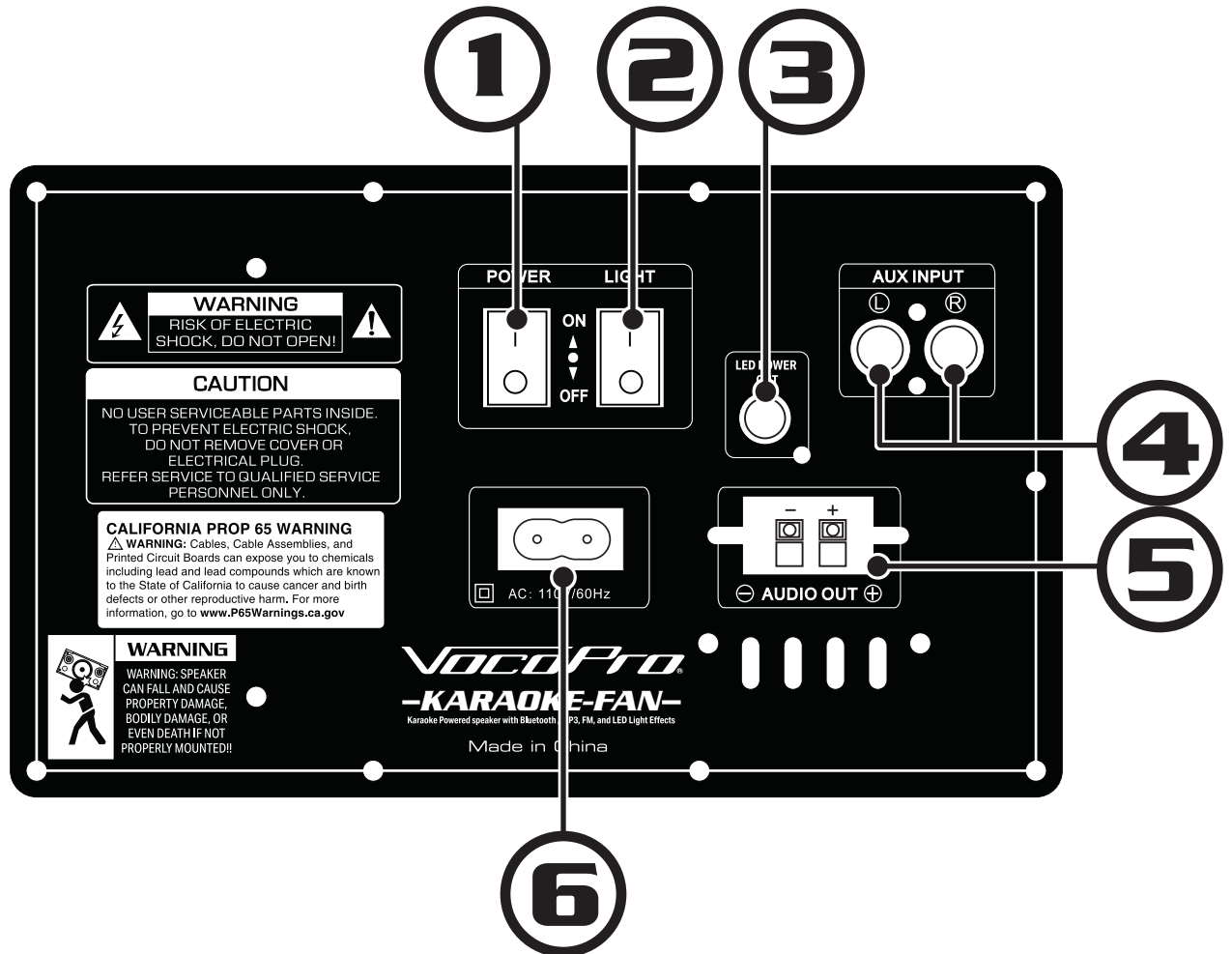
8. **USB and SD slots:** Insert a USB drive or SD card to play MP3 audio files. Not compatible with video files.

Note: *Only supports devices 32 GB or smaller, recommended format FAT or FAT-32.

9. **Mic 1 & Mic 2 Inputs:** 1/4" mic level inputs. Plug in a wired microphone or wireless mic receiver

Note: *Does not support mics that require phantom power.

Functions and Descriptions



Back Panel

1. **Power Switch:** Use to turn the speakers on and off.
2. **Light Switch:** Use to turn the speaker's built-in lights on and off.
3. **LED Power Out:** Connect the LED power cord from the secondary speaker to this jack. This jack is powered for the LED of the passive Karaoke-Fan Speaker. **DO NOT** plug any other audio equipment into this jack or this may damage the audio equipment.
4. **AUX Input:** RCA audio input for connecting an external music player.
5. **Audio Out:** Use the included speaker wire to connect from this Audio Out to the red and black speaker posts on the secondary speaker.
6. **AC Input:** Connect the included AC power cord here.

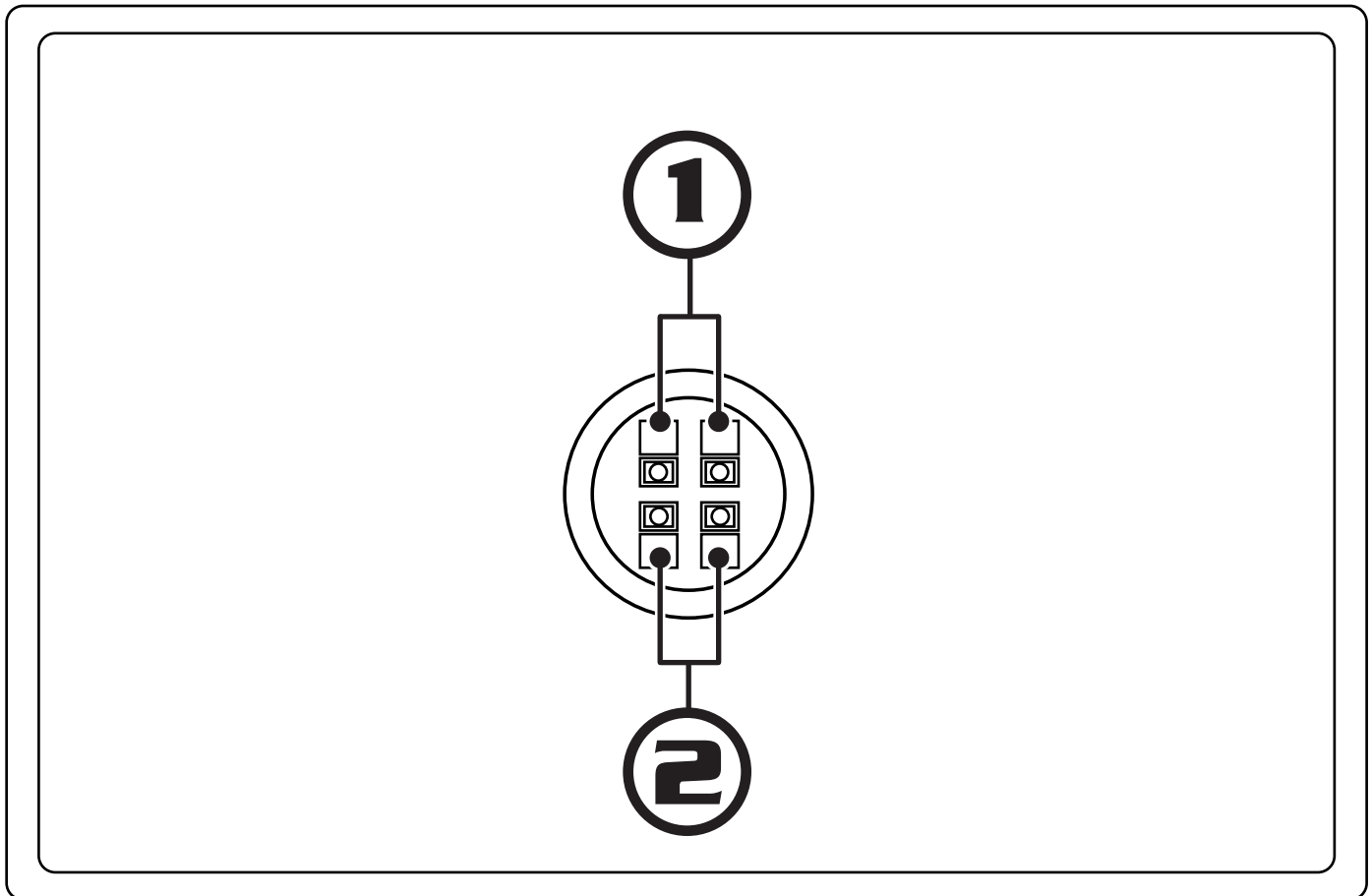
Functions and Descriptions

Secondary Speaker

1. **LED Power In:** Connect from the LED Power Out on the main speaker to these green speaker tabs using the included LED power cord that has an RCA type connector on one end and bare speaker wire on the other end.
2. **Audio In:** Connect from the Audio Out on the main speaker to these black and red speaker inputs using the included speaker wire with raw wire ends.

WARNING: Do not press speaker jack with excess force or it will damage the bare wire terminal.

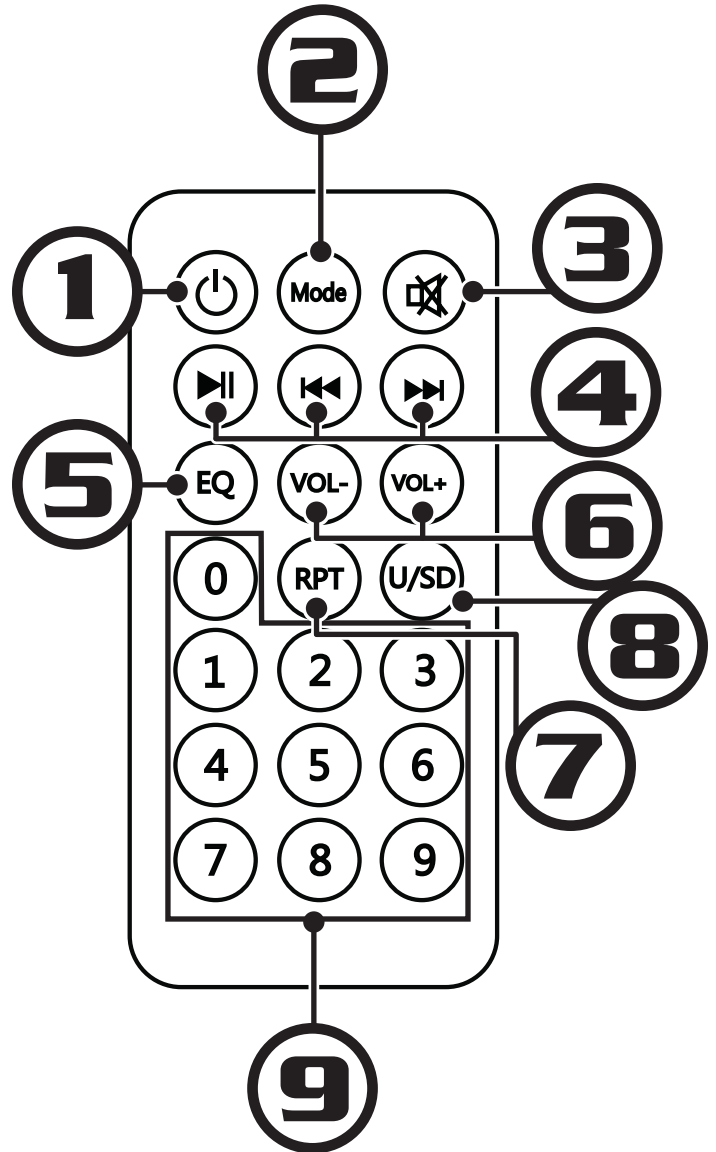
WARNING: Please match the color post of both the active and passive speaker. Connecting speakers with the opposite polarity will diminish some of the frequencies of the sound.



Functions and Descriptions

Remote

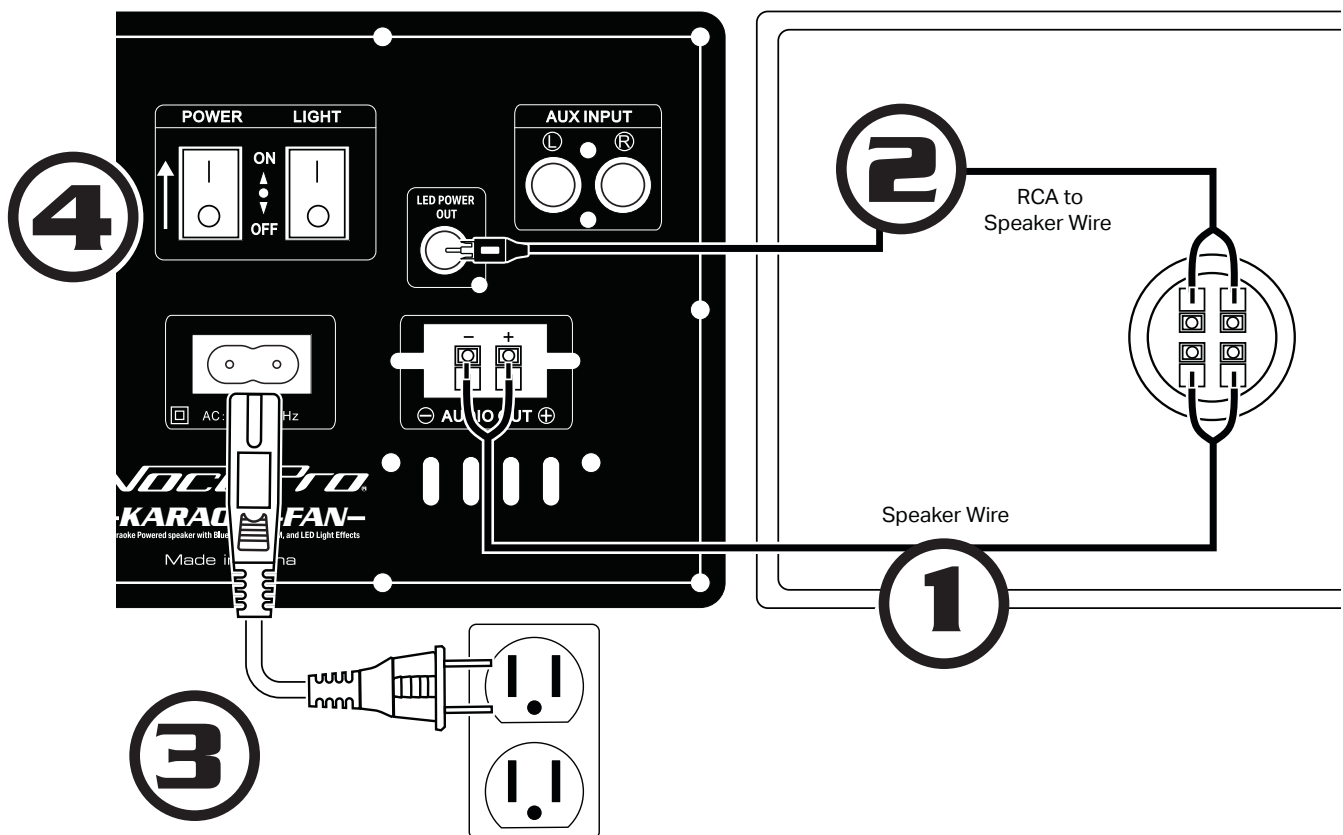
- 1. Standby:** Press to put the speakers in standby mode. This function only works if the speaker power switch is On.
- 2. Mode:** Press to cycle through the available inputs: USB and SD, AUX In, FM radio, and Bluetooth.
- 3. Mute:** Press to mute all audio coming from the speakers.
- 4. Playback Control Buttons (Back, Next, Play/Pause):** When in Bluetooth, USB, or SD modes, use these buttons to skip back to the previous song, forward to the next song, or pause and play the current song.
When in FM mode, press Play to scan for available radio stations. Once the system is done scanning for stations and making presets, use the Next and Back buttons to switch between those preset stations.
- 5. EQ:** Press to cycle through preset equalization settings for the music. These settings will alter the treble and bass levels to help accentuate different styles of music.
- 6. Volume +/-:** Use these buttons to increase and decrease the music volume.
- 7. Repeat:** Press to toggle between repeat all songs, repeat one song, and normal playback. Only works when playing from a USB drive or SD card.
- 8. USB/SD:** Press to switch between the USB drive player and the SD card player.
- 9. Track Number Buttons:** Use these buttons to skip to a specific track number. Only works when playing from a USB drive or SD card.



Getting Connected

Connecting Speakers and Power

1. Get the included speaker wire, take one end and connect it to the Audio Out speaker tabs on the main speaker. Take the other end and connect it to the Audio In speaker tabs on the secondary speaker. Push down on the speaker tab to open the terminal, insert the speaker wire into the hole, and release the tab.
WARNING: Do not press speaker jack with excess force or it will damage the bare wire terminal.
WARNING: Please match the color post of both the active and passive speaker. Connecting speakers with the opposite polarity will diminish some of the frequencies of the sound.
2. Take the wire that is coming out from the secondary speaker, and plug the end into the LED Power Out on the main speaker.
3. Take the included AC power cable, connect one end to the AC input on the main speaker and connect the other end to a wall socket or power strip.
4. Turn the system on by pushing the Power switch and Light switch to the ON position.



Getting Connected

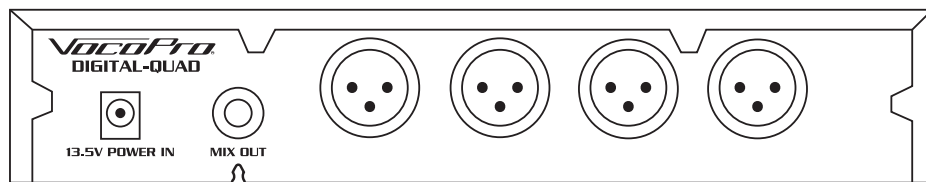
Connecting Microphones

1. Get your wired mic or wireless microphone receiver, and plug into the Mic 1 or Mic 2 inputs using a ¼ inch audio cable.
2. Turn the Mic Volume knob up to your preferred level.
3. Turn the Echo knob clockwise to add more of the effect onto your vocals.

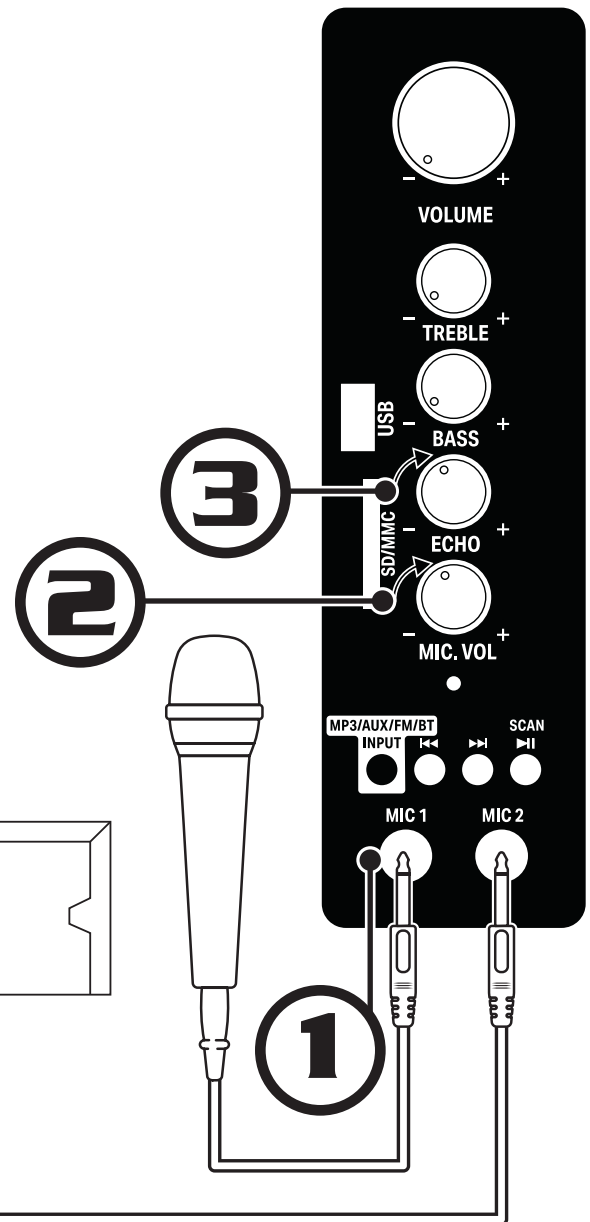
Echo is a repeating effect that helps add space and depth to your voice. It is designed to replicate the effect of singing in a large space. Adding more will make your voice seem more distant, but will also help your voice sink into the music and mix together.

Note: *The Karaoke-Fan speaker system does not include any microphones.

Note: **The system is not compatible with microphones that require phantom power. It is compatible with most wireless mic systems and wired dynamic microphones.



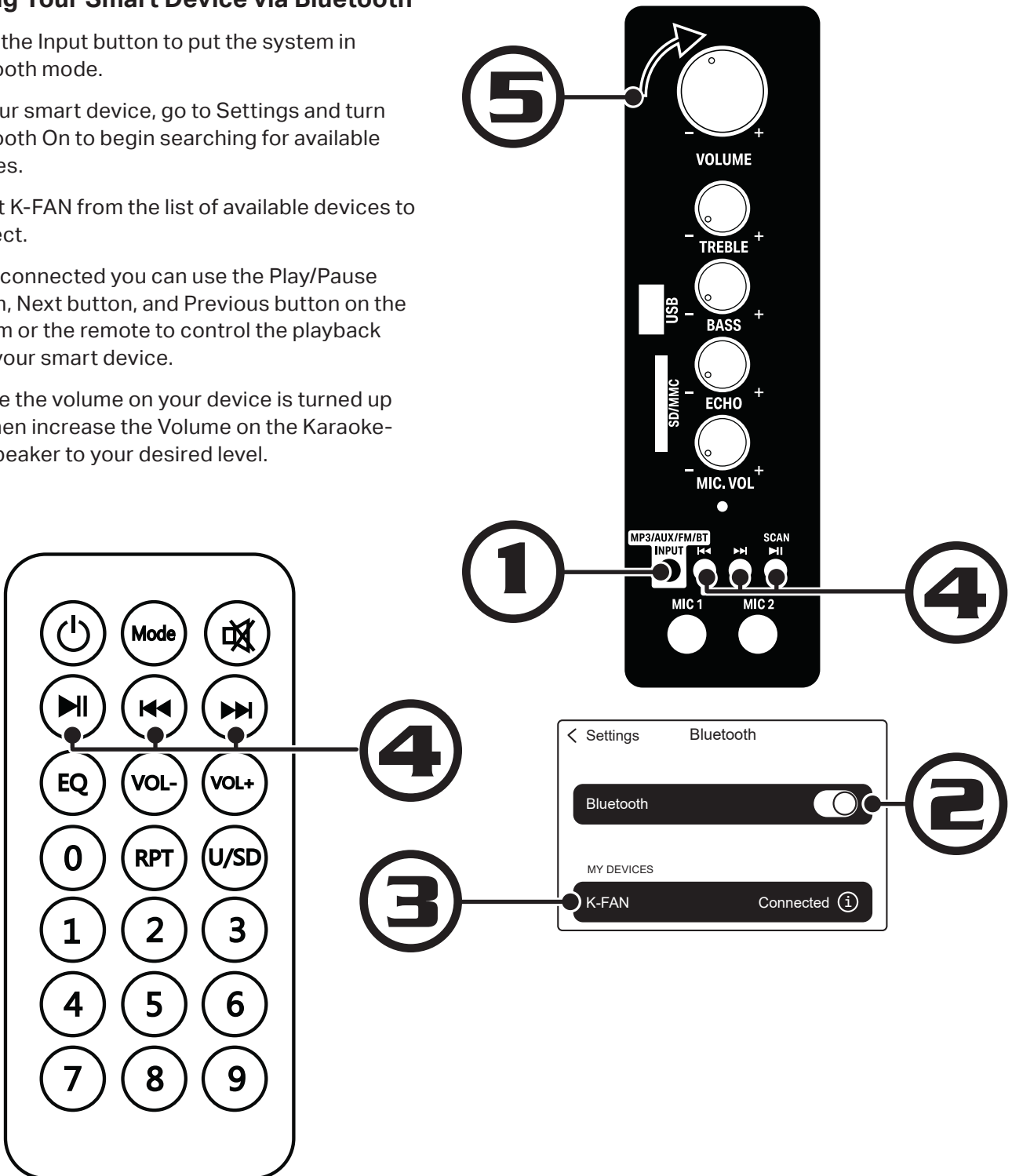
Digital-Quad (Not Included)



Getting Connected

Connecting Your Smart Device via Bluetooth

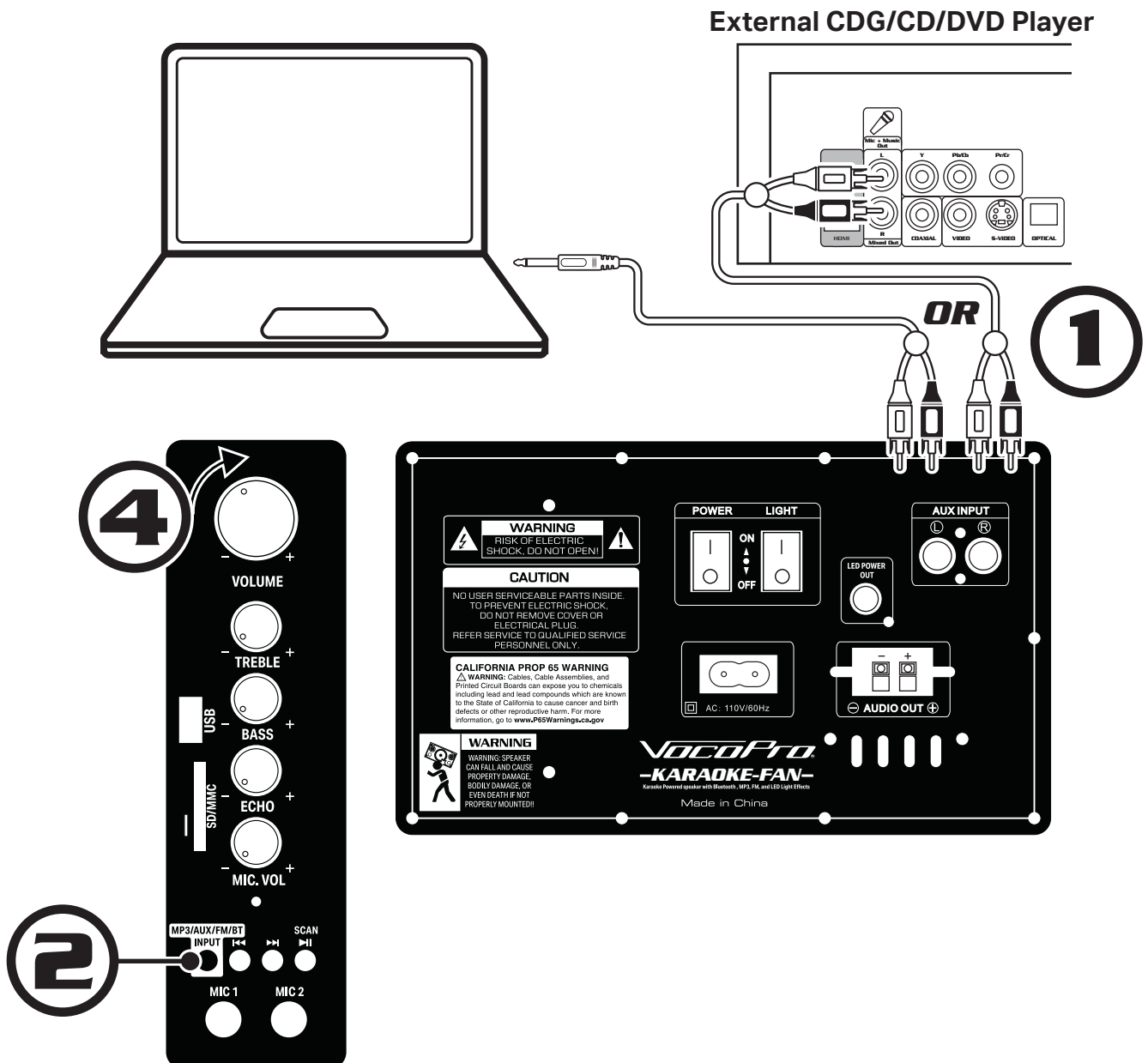
1. Press the Input button to put the system in Bluetooth mode.
2. On your smart device, go to Settings and turn Bluetooth On to begin searching for available devices.
3. Select K-FAN from the list of available devices to connect.
4. Once connected you can use the Play/Pause button, Next button, and Previous button on the system or the remote to control the playback from your smart device.
5. Ensure the volume on your device is turned up and then increase the Volume on the Karaoke-Fan speaker to your desired level.



Getting Connected

Playing From an External Player

1. Connect your player to the Aux Input on the Back Panel using a cable with RCA connectors.
An RCA to $\frac{1}{8}$ " cable is included to easily connect a laptop, tablet, phone, any device with a headphone output. Newer devices that do not have dedicated headphone output will require an adapter made by the manufacturer.
 2. Press the Input button to put the system into Auxiliary mode.
 3. Start playing from your external player and make sure the volume on the player is turned up.
 4. Turn up the Volume knob on speaker.
- Note: *RCA to $\frac{1}{8}$ " cable (Included)
Note: **RCA to RCA audio cable (Not Included)



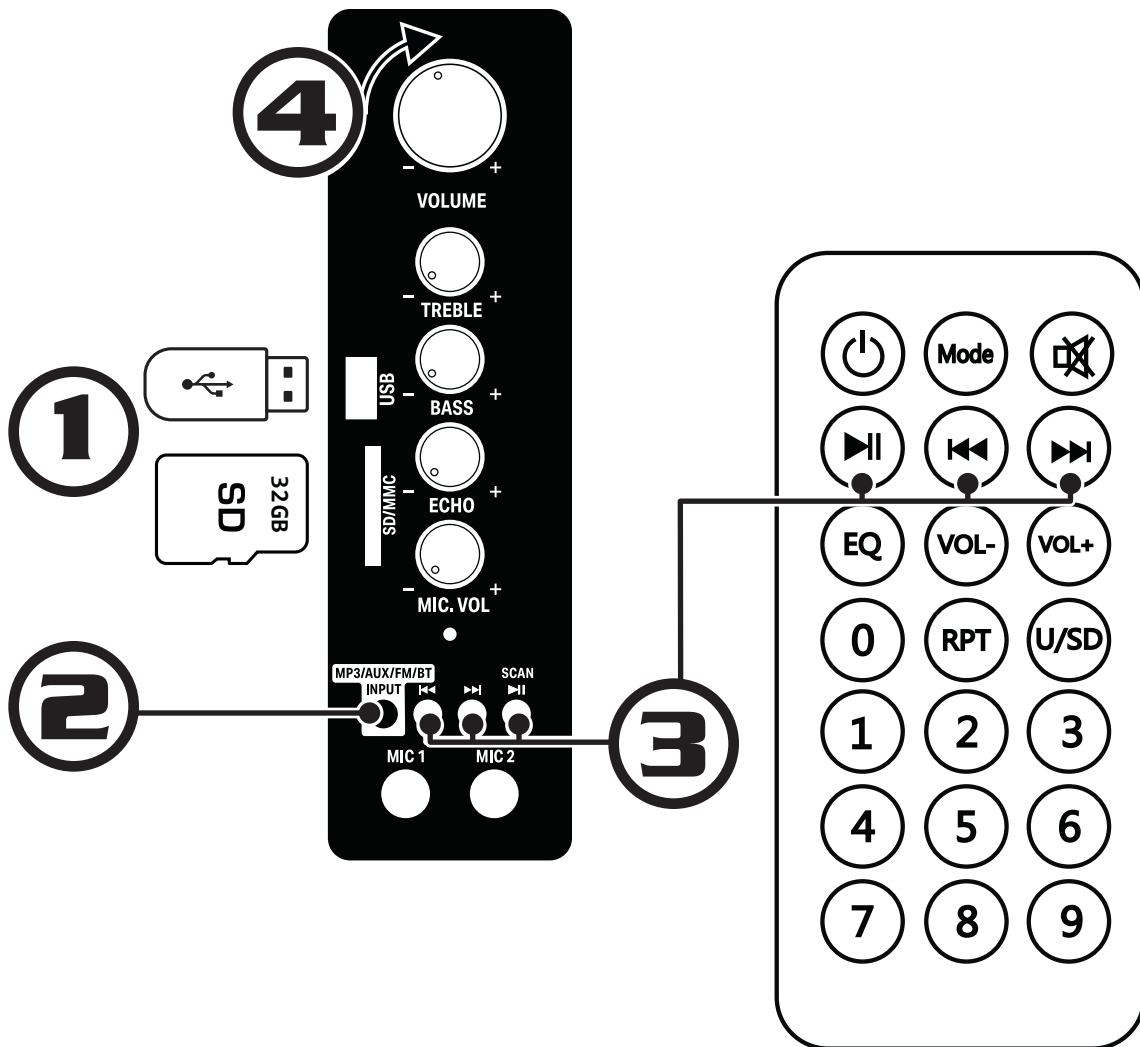
Getting Connected

Playing MP3 Audio Files from a USB Drive or SD Card

1. Insert your USB drive or SD card into the designated slot on the Side Panel.
2. Press the Input button to put the system into MP3 mode.
3. Use the Play/Pause button, Next button, and Previous button on the system or on the remote to control the playback of your files.
4. Turn the Volume knob up on the speaker.

Note: *The Karaoke-Fan only supports common audio file types such as MP3. It cannot play video files.

Note: *We recommend to use a USB drive or SD card that is no larger than 32 GB. It should also be formatted as FAT or FAT-32, this is the most common format and will likely be set that way out of the box.

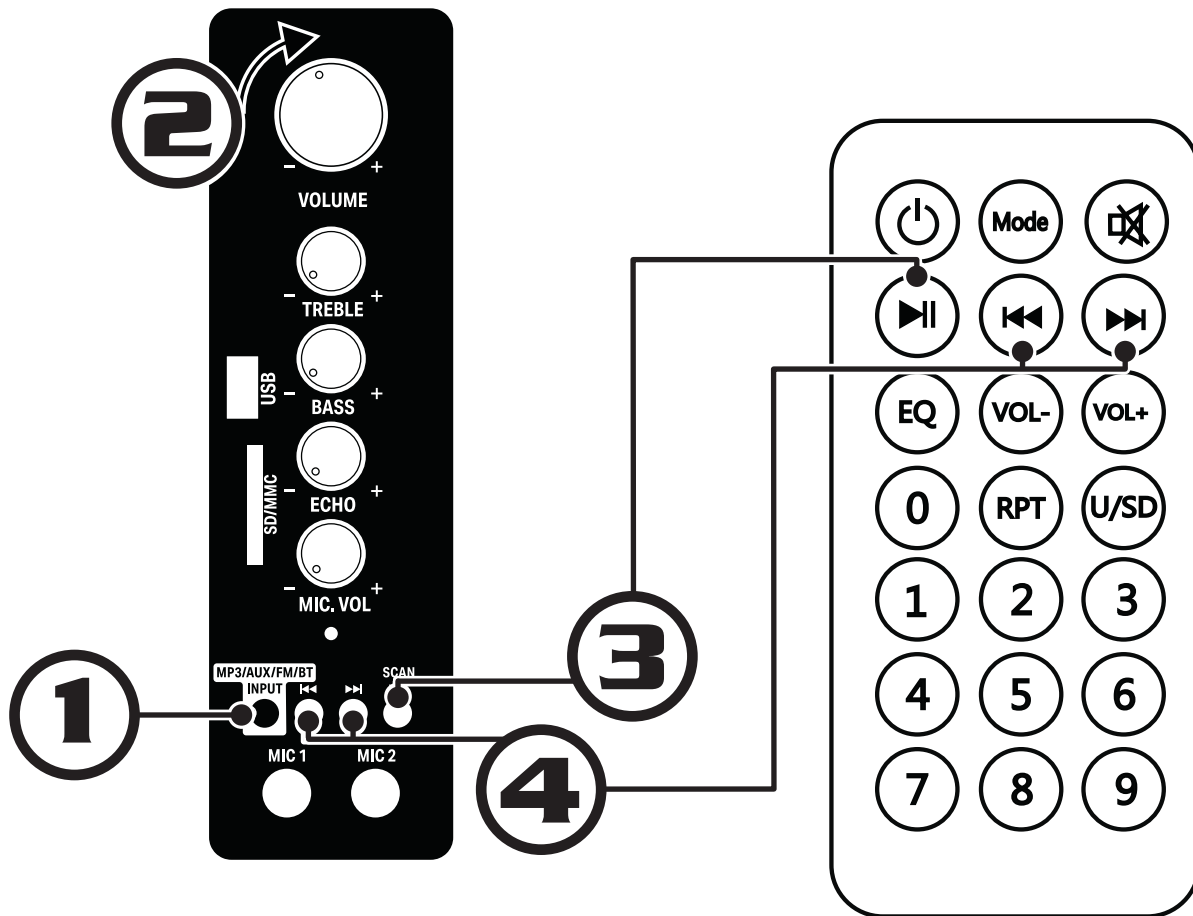


Getting Connected

Using the Built-In FM Radio

1. Press the Input button to put the system into the FM radio tuner mode.
2. Turn the Volume knob up to a low to moderate level.
3. Press the Play/Scan button. The system will begin scanning for radio stations that are within range. It will start at the lowest frequency stations and scan upwards. As it scans it will make preset radio stations. Please give the system a few minutes to complete scanning for stations.
4. Once it is done scanning, use the Next and Previous buttons to cycle through all the preset stations.

*The Karaoke-Fan makes preset stations for nearby stations with a strong signal. If it does not make a preset for one of your local stations, the signal from it may not be strong enough. Try relocating the Karaoke-Fan speaker and trying to Scan again.



Troubleshooting

The speaker is not powering on

Make sure the AC power cord is securely connected to the AC In on the main speaker.

Make sure there is power going to the outlet it is plugged into. Try plugging another device into that outlet.

Try using another AC power cord. It is a very common cable used by a wide variety of electronic devices: DVD and Blu-ray players, cable and satellite boxes, game consoles, computers, laptop adapters, etc.

I do not see any lights in the speakers

Make sure the Light power switch is ON.

For the secondary speaker, make sure the cable coming from the speaker is connected to the LED Power Out on the main speaker.

Make sure the Volume is turned up. The speaker lights are volume sensitive, so if the volume is set too low it may not be activating the lights.

I am not getting microphone audio

Make sure your microphone is securely plugged into the Mic 1 or Mic 2 input, and the Mic Volume knob is turned up.

Check that the microphone or wireless mic receiver itself is powered on.

The system is designed for High Impedance (Hi-Z) microphones. If you are using a Low Impedance (Lo-Z) microphone, you may need to get a Low Z to High Z Impedance Adapter.

Note: The system is not compatible with microphones that require phantom power. It is compatible with most wireless mic systems and wired dynamic microphones.

I do not hear any music audio

For the secondary speaker, make sure the speaker wire is securely connected from the Audio Out on the main speaker to the Audio In on the secondary speaker. Turn the power OFF before adjusting the wire.

Check the Volume knob level on the main speaker.

Ensure the speaker is set to the correct input for what you want to play.

For Bluetooth: Make sure your device is playing, the volume on it is turned up, and is in range (20-30 ft).

For the Auxiliary connection: Make sure the audio cable is securely connected, the external device is playing, and the volume on the external device is turned up.

For the MP3 player: Make sure your storage device is inserted all the way. Try pressing the Previous button a few times, as it may have gone through all available files. Make sure you have compatible MP3 audio files on the drive. Check the Format of the drive itself with a computer, we recommend FAT or FAT-32. If you reformat your drive, you will have to put the files back on it.

Notes

LIMITED DOMESTIC WARRANTY

VOCOPRO WARRANTS ALL PRODUCTS PURCHASED IN U.S. AGAINST DEFECTS IN MATERIAL OR WORKMANSHIP FOR A PERIOD OF ONE YEAR FROM THE INITIAL DATE OF RETAIL PURCHASE FROM AN AUTHORIZED VOCOPRO DEALER, OR, ONE YEAR FROM THE DATE OF MANUFACTURE IF THE PROOF OF PURCHASE DATE IS NOT AVAILABLE. This limited warranty extends to all purchasers or owners of the product during the warranty period with the original retail purchase. VocoPro does not, however, warrant its products against any and all defects: 1) arising out of material or workmanship not provided or furnished by VocoPro, 2) resulting from abnormal use of the product or caused by use in violation of product instructions, 3) in products repaired or serviced by other service technicians other than authorized VocoPro repair facilities, 4) in products with removed or defaced serial numbers or 5) in components, parts or products expressly warranted by another manufacturer. VocoPro agrees to supply all parts and labor to repair or replace defects covered by this limited warranty with parts or products of original or improved design, at its option in each respect, if the defective product is shipped prior to the end of warranty period to any authorized VocoPro warranty repair facility in U.S., or to the VocoPro, in the original packaging or a replacement supplied by VocoPro, with all transportation costs and full insurance paid each way by the purchaser or owner.

LIMITED WARRANTY OUTSIDE THE U.S.

VOCOPRO PRODUCTS ARE WARRANTED ONLY IN THE COUNTRY WHERE PURCHASED THROUGH AN AUTHORIZED VOCOPRO DISTRIBUTOR IN THAT COUNTRY AGAINST DEFECTS IN MATERIAL OR WORKMANSHIP. THE SPECIFIC PERIOD OF THIS LIMITED WARRANTY SHALL BE THAT WHICH IS DESCRIBED TO THE ORIGINAL RETAIL PURCHASER BY THE AUTHORIZED DEALER OR DISTRIBUTOR AT THE TIME OF PURCHASE.

VocoPro does not, however, warrant its products against any and all defects: 1) arising out of material or workmanship not provided or furnished by VocoPro, 2) resulting from abnormal use of the product or caused by use in violation of product instructions, 3) in products repaired or serviced by other service technicians other than authorized VocoPro repair facilities, 4) in products with removed or defaced serial numbers or 5) in components, parts or products expressly warranted by another manufacturer. VocoPro agrees through the applicable authorized distributor, to repair or replace defects covered by this limited warranty with parts or products of original or improved design, at its option in each respect, if the defective product is shipped prior to end of warranty period to designated authorized VocoPro warranty repair facility in the country where purchased, or to the VocoPro Headquarter in the U.S., in the original packaging or a replacement supplied by VocoPro, with all transportation costs and full insurance paid each way by the purchaser or owner.

ALL REMEDIES AND THE MEASURE OF DAMAGES ARE LIMITED TO THE ABOVE SERVICES. IT IS POSSIBLE THAT ECONOMIC LOSS OR INJURY TO PERSON OR PROPERTY MAY RESULT FROM THE FAILURE OF THE PRODUCT; HOWEVER, EVEN IF VOCOPRO HAS BEEN ADVISED OF THIS POSSIBILITY, THIS LIMITED WARRANTY DOES NOT COVER ANY SUCH CONSEQUENTIAL OR INCIDENTAL DAMAGES. SOME STATES OR COUNTRIES DO NOT ALLOW THE LIMITATIONS OR EXCLUSIONS OF INCIDENTAL OR CONSEQUENTIAL DAMAGES, SO THE ABOVE LIMITATION MAY NOT APPLY TO YOU.

ANY AND ALL WARRANTIES, EXPRESSED OR IMPLIED, ARISING BY LAW, COURSE OF DEALING, COURSE OF PERFORMANCE, USAGE OF TRADE, OR OTHERWISE, INCLUDING BUT NOT LIMITED TO IMPLIED WARRANTIES OF MERCHANTABILITY AND FITNESS FOR A PARTICULAR PURPOSE, ARE LIMITED TO A PERIOD OF ONE YEAR FROM EITHER THE DATE OF ORIGINAL RETAIL PURCHASE OR, IN THE EVENT OF NO PROOF OF PURCHASE DATE IS AVAILABLE, THE DATE OF MANUFACTURE. SOME STATES OR COUNTRIES DO NOT ALLOW LIMITATIONS ON HOW LONG AN IMPLIED WARRANTY LASTS, SO THE ABOVE LIMITATIONS MAY NOT APPLY TO YOU.

THE LIMITED WARRANTY GIVES YOU SPECIFIC LEGAL RIGHTS, AND YOU MAY ALSO HAVE OTHER RIGHTS THAT VARY FROM STATE TO STATE, COUNTRY TO COUNTRY.

LIMITED DOMESTIC WARRANTY

From:

Place
Stamp
Here

To: VOCOPRO HEADQUARTER
1728 CURTISS COURT
LA VERNE, CA 91750

WARRANTY PROCEDURE

TO VALIDATE YOUR WARRANTY: Fill out the attached warranty card, being sure to include the model and serial number of the unit since this is how warranty cards are tracked. If your VocoPro product was purchased in the U.S., mail the completed card directly to VocoPro within 10 days of the date of purchase. If you purchased the product outside the U.S. you must file your warranty registration card with the distributor in that country. It is advised that you keep your bill of sale as proof of purchase, should any difficulties arise concerning the registration of the warranty card.

WARRANTY REGISTRATION is made and tracked by MODEL AND SERIAL NUMBER ONLY, not by the purchaser's or owner's name. Therefore any warranty correspondence or inquiries MUST include the model and serial number of the product in question. Be sure to fill in the model and serial number in the space provided below and keep this portion of the warranty card in a safe place for future reference.

WARRANTY SERVICE MUST BE PERFORMED ONLY BY AN AUTHORIZED VOCOPRO SERVICE FACILITY LOCATED IN THE COUNTRY WHERE THE UNIT WAS PURCHASED, OR AT THE VOCOPRO HEADQUARTERS IN THE U.S. It is recommended that advance notice be given to the repair facility to avoid needless shipment in case the problem can be solved over the phone. UNAUTHORIZED SERVICE PERFORMED WILL VOID ANY EXISTING FACTORY WARRANTY ON THAT PRODUCT.

FACTORY SERVICE: If you wish your product to be serviced at the factory, it must be shipped FULLY INSURED, IN THE ORIGINAL PACKING OR EQUIVALENT. This warranty will NOT cover repairs on products damaged through improper packaging. If possible, avoid sending products through the mail. Be sure to include in the package:

1. Complete return shipping address (P.O. Box number are NOT acceptable).
2. A detailed description of any problems experienced, including the make and model numbers of any other equipment in the system.

Repaired products will be returned freight C.O.D. unless sufficient return shipment funds are included with the unit.

Products sent to the factory from outside the U.S. MUST include return freight funds, and the sender is fully responsible for all, customs procedures, duties, tariffs and deposits.

RECORD THE MODEL AND SERIAL NUMBER BELOW AND RETAIN THIS PORTION OF THE WARRANTY CARD FOR YOUR FILES:

MODEL

SERIAL NUMBER

DATE OF PURCHASE

PLACE OF PURCHASE

LIMITED DOMESTIC WARRANTY

Detach this portion and mail it to the factory

MODEL _____ MANUFACTURE DATE _____ SERIAL NO. _____

OWNER'S NAME _____ ADDRESS _____

CITY _____ STATE _____ ZIP _____

The following information is appreciated, but not required:

Dealer's name and address: _____

What other products and/or product changes would you like to see Manufactured? _____

Any other comments: _____

Our Team is Here to Help



Please do not return to the retailer if you are having a technical issue operating or connecting the unit. If you need additional help, have questions, or need support with your VocoPro product contact us:

Toll Free: 800-678-5348

TEL: 909-593-8893

FAX: 909-593-8890

Email Tech Support at:

techsupport@vocopro.com

