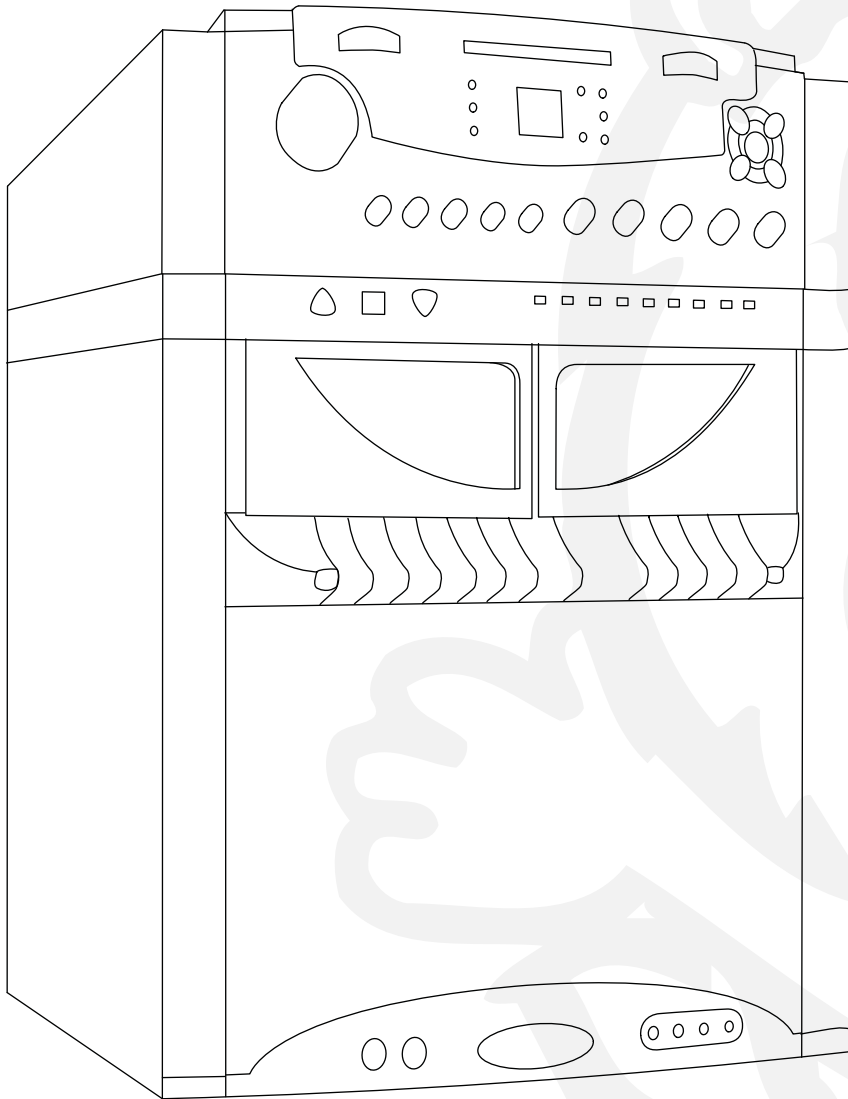


VocoPro

ULTIMATE CHOICE OF KARAOKE ENTERTAINMENT




SUMO


DIGITAL KARAOKE SYSTEM

o w n e r ' s m a n u a l

Safety Instructions



CAUTION
RISK OF SHOCK



CAUTION: To reduce the risk of electric shock, do not remove cover (or back). No user-serviceable parts inside. Only refer servicing to qualified service personnel.

Explanation of Graphical Symbols



The lightning flash & arrowhead symbol, within an equilateral triangle, is intended to alert you to the presence of danger.



The exclamation point within an equilateral triangle is intended to alert you to the presence of important operating and servicing instructions.

WARNING

To reduce the risk of fire or electric shock, do not expose this unit to rain or moisture.

1. Read Instructions - All the safety and operating instructions should be read before the appliance is operated.

2. Retain Instructions - The safety and operating instructions should be retained for future reference.

3. Heed Warnings - All warnings on the appliance and in the operating instructions should be adhered to.

4. Follow Instructions - All operating and use instructions should be followed.

5. Attachments - Do not use attachments not recommended by the product manufacturer as they may cause hazards.

6. Water and Moisture - Do not use this unit near water. For example, near a bathtub or in a wet basement and the like.

7. Carts and Stands - The appliance should be used only with a cart or stand that is recommended by the manufacturer.

7 A. An appliance and cart combination should be moved with care. Quick stops, excessive force, and uneven surfaces may cause an overturn.



8. Ventilation - The appliance should be situated so its location does not interfere with its proper ventilation. For example, the appliance should not be situated on a bed, sofa, rug, or similar surface that may block the ventilation slots.

9. Heat - The appliance should be situated away from heat sources such as radiators, heat registers, stoves, or other appliances (including amplifiers) that produce heat.

10. Power Sources - The appliance should be connected to a power supply only of the type described in the operating instructions or as marked on the appliance.

11. Grounding or Polarization - Precautions should be taken so that the grounding or polarization means of an appliance is not defeated.

12. Power-Cord Protection - Power-supply cords should be routed so that they are not likely to be walked on or pinched by items placed upon or against them, paying particular attention to cords at plugs, convenience receptacles, and the point where they exit from the appliance.

13. Cleaning - Unplug this unit from the wall outlet before cleaning. Do not use liquid cleaners or aerosol cleaners. Use a damp cloth for cleaning.

14. Power lines - An outdoor antenna should be located away from power lines.

15. Nonuse Periods - The power cord of the appliance should be unplugged from the outlet when left unused for a long period of time.

16. Object and Liquid Entry - Care should be taken so that objects do not fall and liquids are not spilled into the enclosure through openings.

17. Damage Requiring Service - The appliance should be serviced by qualified service personnel when:

- A. The power supply cord or plug has been damaged; or
- B. Objects have fallen into the appliance; or
- C. The appliance has been exposed to rain; or
- D. The appliance does not appear to operate normally or exhibits a marked change in performance; or
- E. The appliance has been dropped, or the enclosure damaged.

18. Servicing - The user should not attempt to service the appliance beyond that described in the operating instructions. All other servicing should be referred to qualified service personnel.

NOTE:

To CATV system installer's (U.S.A.): This reminder is provided to call the CATV system installer's attention to Article 820-40 of the NEC that provides guidelines for proper grounding and, in particular, specifies that the cable ground shall be connected as close to the point of cable entry as practical.

FCC INFORMATION (U.S.A.)

1. IMPORTANT NOTICE: DO NOT MODIFY THIS UNIT! This product, when installed as indicated in the instructions contained in this manual, meets FCC requirements. Modifications not expressly approved by Vocopro may void your authority, granted by the FCC, to use this product.

2. IMPORTANT: When connecting this product to accessories and/or another product use only high quality shielded cables. Cable(s) supplied with this product **MUST** be used. Follow all installation instructions. Failure to follow instructions could void your FCC authorization to use product in the U.S.A.

3. NOTE: This product has been tested and found to comply with the requirements listed in FCC Regulations, Part 15 for Class "B" digital devices. Compliance with these requirements provides a reasonable level of assurances that your use of this product in a residential environment will not result in harmful interference with other electronic devices. This equipment generates/uses radio frequencies and, if not installed and used according to the instructions found in the owner's manual, may cause interference harmful to the operation of other electronic devices. Compliance with FCC regulations does not guarantee that interference will not occur in all installations. If this product is found to be the source of interference, which can be determined by turning the unit "Off" and "On", please try to eliminate the problem by using one of the following measures:

Relocate either this product or the device that is being affected by the interference.

Use power outlets that are on different branch (circuit breaker or fuse) circuits or install AC line filter(s).

In the case of radio or TV interference, relocate/reorient the antenna. If the antenna lead-in is 300-ohm ribbon lead, change the lead-in to coaxial type cable.

If these corrective measures do not produce satisfactory results, please contact your local retailer authorized to distribute Vocopro products. If you can not locate the appropriate retailer, please contact Vocopro, 1728 Curtiss Court, La Verne, CA 91750.

CAUTION

The apparatus is not disconnected from the AC power source so long as it is connected to the wall outlet, even if the apparatus itself is turned off. To fully insure that the apparatus is indeed fully void of residual power, leave unit disconnected from the AC outlet for at least fifteen seconds.

CAUTION: READ THIS BEFORE OPERATING YOUR UNIT

1. To ensure the finest performance, please read this manual carefully. Keep it in a safe place for future reference.
2. Install your unit in a cool, dry, clean place - away from windows, heat sources, and too much vibration, dust, moisture or cold. Avoid sources of hum (transformers, motors). To prevent fire or electrical shock, do not expose to rain and water.
3. Do not operate the unit upside-down.
4. Never open the cabinet. If a foreign object drops into the set, contact your dealer.
5. Place the unit in a location with adequate air circulation. Do not interfere with its proper ventilation; this will cause the internal temperature to rise and may result in a failure.
6. Do not use force on switches, knobs or cords. When moving the unit, first turn the unit off. Then gently disconnect the power plug and the cords connecting to other equipment. Never pull the cord itself.
7. Do not attempt to clean the unit with chemical solvents: this might damage the finish. Use a clean, dry cloth.
8. Be sure to read the "Troubleshooting" section on common operating errors before concluding that your unit is faulty.
9. This unit consumes a fair amount of power even when the power switch is turned off. We recommend that you unplug the power cord from the wall outlet if the unit is not going to be used for a long time. This will save electricity and help prevent fire hazards. To disconnect the cord, pull it out by grasping the plug. Never pull the cord itself.
10. To prevent lightning damage, pull out the power cord and remove the antenna cable during an electrical storm.
11. The general digital signals may interfere with other equipment such as tuners or receivers. Move the system farther away from such equipment if interference is observed.
12. When positioning your equipment, especially regarding speakers or other accessories, avoid positioning them over areas where they can fall and cause injury to yourself and others.

NOTE:

Please check the copyright laws in your country before recording from records, compact discs, radio, etc. Recording of copyrighted material may infringe copyright laws.



Welcome....

Welcome....

And Thank you for purchasing the **SUMO** from VocoPro, your ultimate choice in Karaoke entertainment! With years of experience in the music entertainment business, VocoPro is a leading manufacturer of Karaoke equipment, and has been providing patrons of bars, churches, schools, clubs and individual consumers the opportunity to sound like a star with full-scale club models, in-home systems and mobile units. All our products offer solid performance and sound reliability, and to further strengthen our commitment to customer satisfaction, we have customer service and technical support professionals ready to assist you with your needs. We have provided some contact information for you below.

VocoPro
1728 Curtiss Court
La Verne, CA 91750
Toll Free: 800-678-5348
TEL: 909-593-8893
FAX: 909-593-8890

VocoPro Company Email Directory

Customer Service & General Information
info@vocopro.com

Tech Support
techsupport@vocopro.com

Remember Our Website

Be sure to visit the VocoPro website www.vocopro.com for the latest information on new products, packages and promo's. And while you're there don't forget to check out our Club VocoPro for Karaoke news and events, chatrooms, club directories and even a KJ Service directory!

We look forward to hearing you sound like a PRO, with VocoPro, your ultimate choice in Karaoke entertainment.

FOR YOUR RECORDS

Please record the model number and serial number below, for easy reference, in case of loss or theft. These numbers are located on the rear panel of the unit. Space is also provided for other relevant information

Model Number _____

Serial Number _____

Date of Purchase _____

Listening For A Lifetime

Selecting fine audio equipment such as the unit you've just purchased is only the start of your musical enjoyment. Now it's time to consider how you can maximize the fun and excitement your equipment offers. VocoPro and the Electronic Industries Association's Consumer Electronics Group want you to get the most out of your equipment by playing it at a safe level. One that lets the sound come through loud and clear without annoying blaring or distortion and, most importantly, without affecting your sensitive hearing.

Sound can be deceiving. Over time your hearing "comfort level" adapts to a higher volume of sound. So what sounds "normal" can actually be loud and harmful to your hearing. Guard against this by setting your equipment at a safe level BEFORE your hearing adapts.

To establish a safe level:

- Start your volume control at a low setting.
- Slowly increase the sound until you can hear it comfortably and clearly, and without distortion.

Once you have established a comfortable sound level:

- Set the dial and leave it there.
- Pay attention to the different levels in various recordings.

Taking a minute to do this now will help to prevent hearing damage or loss in the future. After all, we want you listening for a lifetime.

Used wisely, your new sound equipment will provide a lifetime of fun and enjoyment. Since hearing damage from loud noise is often undetectable until it is too late, this manufacturer and the Electronic Industries Association's Consumer Electronics Group recommend you avoid prolonged exposure to excessive noise. This list of sound levels is included for your

Some common decibel ranges:

Level	Example
30	Quiet library, Soft whispers
40	Living room, Refrigerator, Bedroom away from traffic
50	Light traffic, Normal Conversation
60	Air Conditioner at 20 ft., Sewing machine
70	Vacuum cleaner, Hair dryer, Noisy Restaurant
80	Average city traffic, Garbage disposals, Alarm clock at 2 ft.

The following noises can be dangerous under constant exposure:

Level	Example
90	Subway, Motorcycle, Truck traffic, Lawn Mower
100	Garbage truck, Chainsaw, Pneumatics drill
120	Rock band concert in front of speakers
140	Gunshot blast, Jet plane
180	Rocket launching pad

SUMO

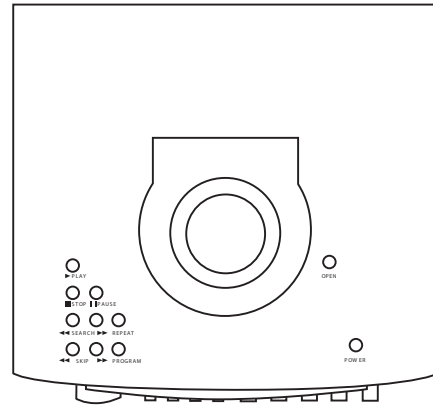
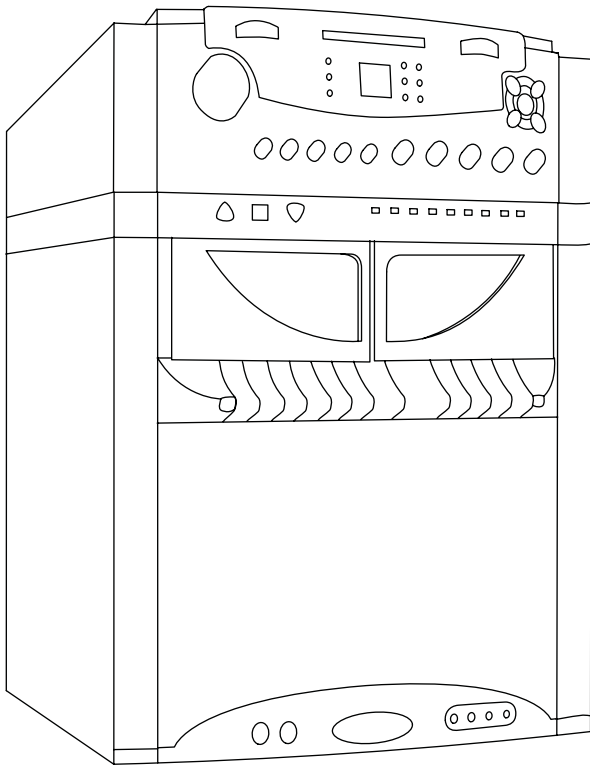
DIGITAL KARAOKE SYSTEM

Contents

Cautions and Warnings	2-3
Welcome	4
Listening for a Lifetime	5
Features	7
Before Getting Started	8
Front Panel Description and Functions	9-11
Top and Rear Panel Description and Functions	12
Getting Connected.	13
Advanced Operation	14-18
Troubleshooting	19



The SUMO's Features



- Top Loading CD/ CD+G Player with Program and Repeat Controls
- Dual Cassette Decks w/ Pitch Control (Tape Speed) up to $\pm 10\%$
- AM/ FM Stereo Tuner
- A/ V Output Jacks for External TV and Audio System Integration
- Front Panel A/ V Input Jacks for Console Gaming, Camcorders or VCR's
- 2 Microphone Inputs w/ Individual Volume Controls
- Mic Bass, Treble and Echo Controls
- Music Volume, Bass, Treble and Balance Controls
- 9-Step Digital Key Controller (± 2 Notes in 1 / 2 Step Increments)
- Vocal Partner with Adjustable Sensitivity Control
- Two-Way Four Speaker System
- Recessed Handles for Easy Portability
- Headphones Jack for Private Listening
- 2 Metal Constructed Microphones
- Retractable Side-Mounted Microphone Holders

Before Getting Started: Things to Consider

It is very important to read the following instructions prior to starting any installation procedures. Doing so will ensure a correct installation and may save you some time as well.

Protect Against Power Surges

- Connect all external components before you plug any of their power cords into the wall outlet.
- Turn off the Sumo before you connect or disconnect any cables.
- Make sure all antennas and cables are properly grounded.

Protect Components from Overheating

- Don't block ventilation holes. Arrange any components so that air can circulate freely.
- Don't stack components.
- If you place the Sumo on a stand, make sure you allow adequate ventilation.
- If you connect an external receiver or amplifier, place it away from the Sumo so the heated air from it won't flow around it.

Position Cables Properly to Avoid Audio Interference

- Insert each cable firmly into the designated jack.
- If you place components above the Sumo, route all cables down the side of the back of the Sumo instead of straight down the middle of the back of the Sumo.

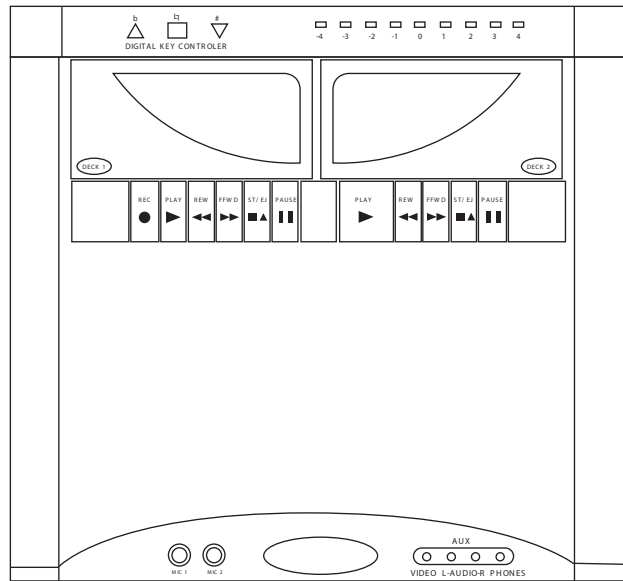
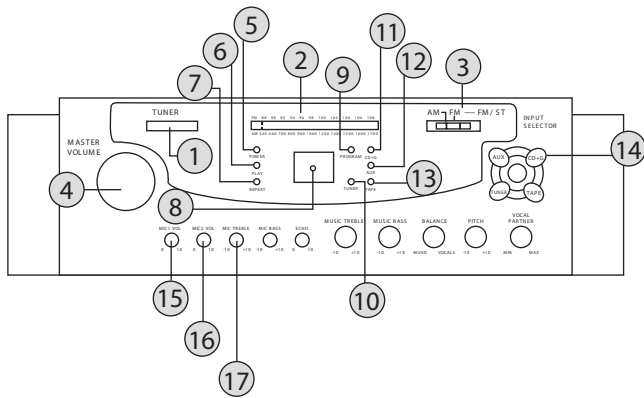
Important Stand and Base Safety Information

Choose the location for your Sumo carefully. If the Sumo is placed on a stand or base, ensure that it is of adequate size and strength to prevent it from being accidentally tipped over, pushed off, or pulled off. This could cause personal injury and/or damage to the Sumo.

FCC Compliance Notice

This equipment has been tested and found to comply with the limits for a Class B digital device, pursuant to Part 15 of the FCC Rules. These limits are designed to provide reasonable protection against harmful interference when the equipment is operated in a commercial environment. This equipment generates, uses and can radiate radio frequency energy and, if not installed and used in accordance with the instruction manual, may cause harmful interference to radio communications. Operation of this equipment in a residential area is likely to cause harmful interference, in which case the user will be required to correct the interference at his own expense.

Front Panel Descriptions



7. REPEAT (LED) indicator - Blinks for TRACK REPEAT mode; is steady for REPEAT ALL mode.

8. TRACK DISPLAY (LED) indicator - Displays the TRACK NUMBER of the currently playing track.

9. PROGRAM (LED) indicator - Illuminates when a PROGRAM selection is in progress.

10. TUNER (LED) indicator - Illuminates when the AM/ FM TUNER is initiated.

11. CD+G (LED) indicator - Illuminates when the CD/ CD+G played or initiated.

12. AUX (LED) indicator - Illuminates when an AUXILIARY device is initiated.

13. TAPE (LED) indicator - Illuminates when a CASSETTE tape playback.

14. CD+G SELECTOR button - Selects the CD/ CD+G player for operation.

15. MIC 1 VOL control - Used to control the volume output from MIC CHANNEL 1.

16. MIC 2 VOL control - Used to control the volume output from MIC CHANNEL 2.

17. MIC TREBLE control - Used to make HIGH FREQUENCY adjustments to the volume output from MIC CHANNELS 1 & 2.

1. AM/FM TUNER - Turn DIAL to tune in to a radio broadcast channel.

2. AM/FM SCALE - Provides BAND FREQUENCIES for station location.

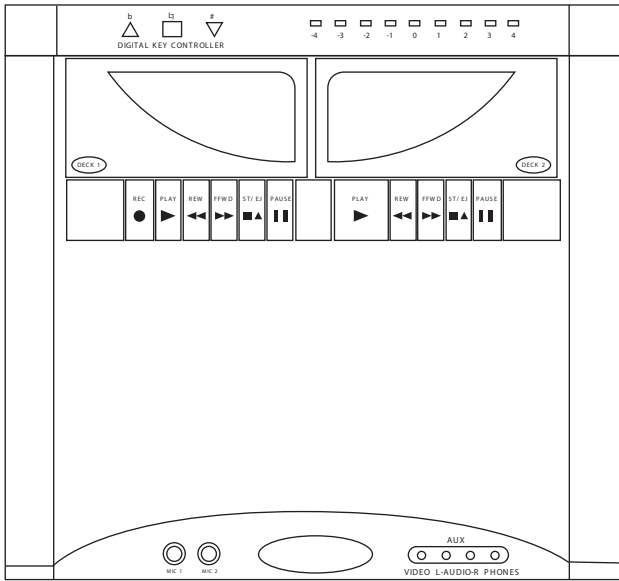
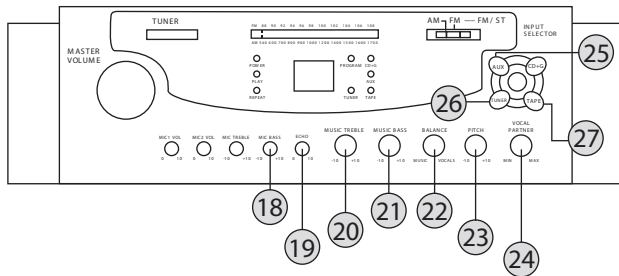
3. BAND SELECTOR - Selects between AM/ FM/ FM-ST frequency bands.

4. MASTER VOLUME - Used to control the MASTER VOLUME for the system.

5. POWER (LED) indicator - Illuminates when the MAIN POWER is ON.

6. PLAY (LED) indicator - Illuminates during CD/ CD+G playback.

Front Panel Descriptions



23. TAPES PITCH control - Used to adjust TAPE SPEED (playback) $\pm 10\%$.

24. V.PARTNER control - Used to REMOVE the guide VOCALS from a multiplex recorded disc/ tape. This feature is enabled when the sensor detects microphone activity (singing). At that time, the vocals are immediately removed. When you stop singing, the vocals are reintroduced to the mix automatically. To adjust the sensor's sensitivity, turn clockwise to increase, and counter-clockwise to decrease sensitivity.

25. AUX SELECTOR button - Selects the AUXILIARY device for operation.

26. TUNER SELECTOR button - Selects the AM/ FM TUNER for operation.

27. TAPE SELECTOR button - Selects a CASSETTE tape for operation.

18. MIC BASS control - Used to make LOW FREQUENCY adjustments to the volume output from MIC CHANNELS 1 & 2.

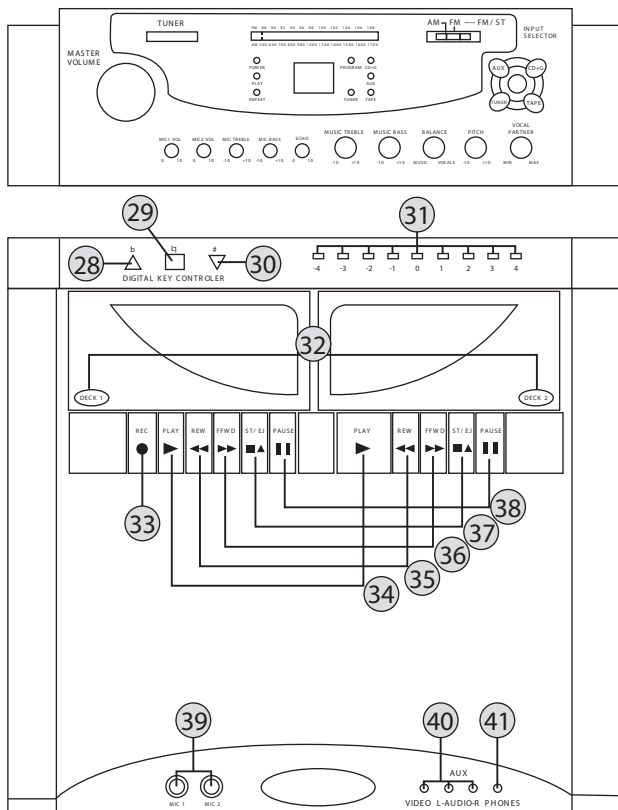
19. ECHO control - Used to control the amount of ECHO applied to MIC CHANNELS 1 & 2.

20. MUSIC TREBLE control - Used to make HIGH FREQUENCY adjustments to music output.

21. MUSIC BASS control - Used to make LOW FREQUENCY adjustments to music output.

22. BALANCE control - Used to balance AUDIO OUTPUT between the L and R channels.

Front Panel Descriptions



28. KEY UP (\triangle) button - INCREASES the MUSICAL KEY a $1/2$ note each time it is pressed.

29. KEY NEUTRAL (\square) button - Returns the musical key back to its neutral key.

30. KEY DOWN (∇) button - DECREASES the MUSICAL KEY a $1/2$ note each time it is pressed.

31. -4 & +4 KEY (LED) indicators - Indicates the musical KEY that the audio is playing in.

32. CASSETTE DECK 1 & 2 - Accepts audio CASSETTE TAPES for cassette playback.

33. REC (●) button - Initiates a cassette tape RECORDING when pressed simultaneously with the PLAY button. Cassette recording is only available on DECK 1.

34. PLAY (►) button - Initiates a cassette tape PLAYBACK.

35. REW (◀) button - Used to REWIND a cassette tape.

36. F.FWD (▶▶) button - Used to FAST-FORWARD a cassette tape.

37. STOP/EJECT (■▲) button - Used to STOP a cassette playback when pressed once, and EJECT a cassette tape when pressed twice.

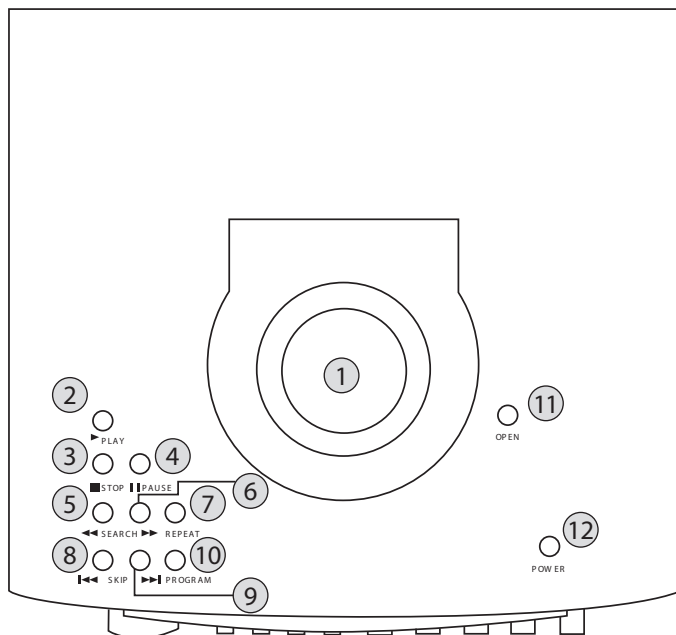
38. PAUSE (||) button - Used to PAUSE a cassette playback when pressed once, and continue playback when pressed twice.

39. MIC 1 & 2 INPUT jacks - Connects a MICROPHONE with $1/4$ " plugs.

40. AUX IN jacks - Connects an external A/V device equipped with RCA-style A/V (L/ R & VIDEO) output.

41. HEADPHONES jack - Connects HEADPHONES equipped with a $1/8$ " plug.

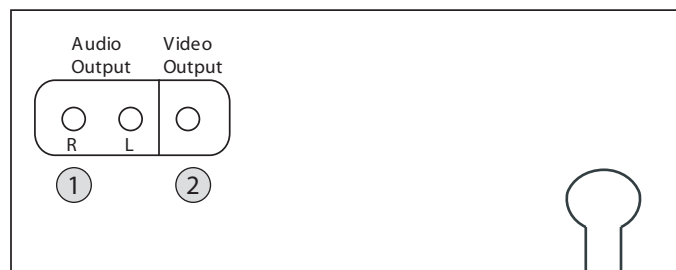
Top Panel Descriptions



1. CD TRAY - Accepts 3" and 5" CD/ CD+G discs for playback.
2. PLAY (►) button - Press to START a CD/ CD+G playback. Press again to PAUSE.

3. STOP (■▲) button - Press to STOP a CD/ CD+G playback.
4. PAUSE (■■) button - Press to PAUSE a CD/ CD+G playback.
5. SEARCH (◀◀) button - Press to rapidly skip BACKWARD through a CD/ CD+G track.
6. SEARCH (▶▶) button - Press to rapidly skip FORWARD through a CD/ CD+G track. Note: Track searching during CD+G playback is not recommended, as the onscreen lyrics will become scrambled.
7. REPEAT button - Press to initiate a REPEAT playback.
8. SKIP (◀◀) button - Press to go to the beginning of the current or previous CD/ CD+G track.
9. SKIP (▶▶) button - Press to go to the beginning of the next CD/ CD+G track.
10. PROGRAM button - Press to PROGRAM and initiate a selection of tracks for playback.
11. CD TRAY OPEN button - Press to OPEN the CD TRAY.
12. POWER button - Press to turn ON/ OFF the MAIN POWER.

Back Panel Descriptions

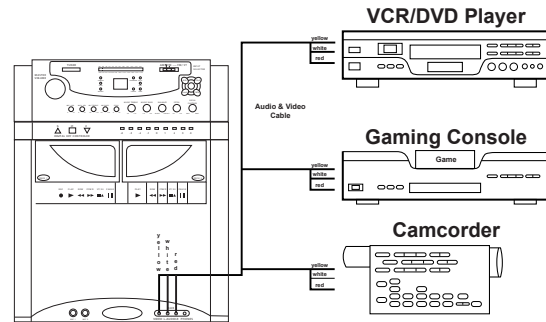


1. AUDIO OUT jacks - Connects to AUDIO INPUT jacks of an external audio system.
2. VIDEO OUT jack - Connects to a VIDEO INPUT jack of an external TV or Monitor.

Getting Connected

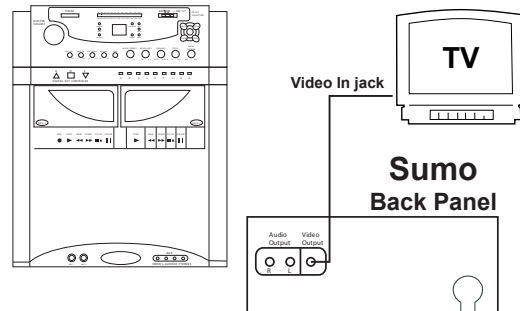
Connecting a VCR, Camcorder or Gaming Console

1. Connect the VCR/Camcorder/Game Console to the Sumo
 - A. Connect an A/V patch cable from the AUDIO OUT/VIDEO OUT jacks on your VCR/Camcorder/Game Console to the AUX INPUT jacks located on the front bottom panel of the Sumo.



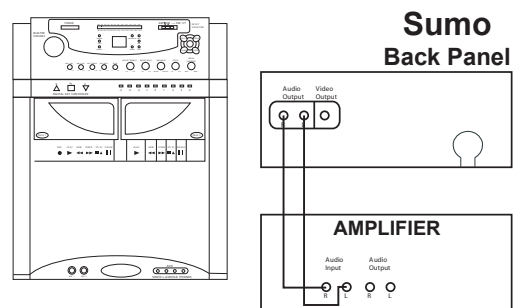
Connecting to an External TV

1. Connect the external TV to the Sumo
 - A. Connect an RCA video cable from the VIDEO IN jack on your external TV to the VIDEO OUT jack on the Sumo.



Connecting to an External Audio System

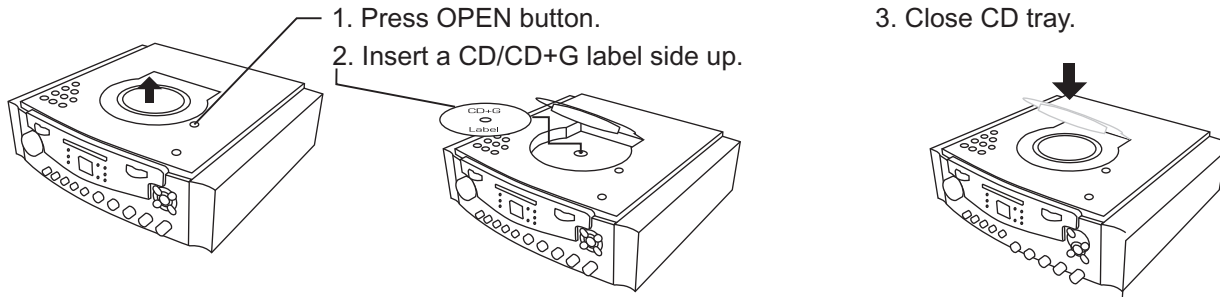
1. Connect the external audio system to the Sumo
 - A. Connect an RCA audio cable from the AUDIO IN jacks on your external audio system to the AUDIO OUT jacks on the Sumo.



Advanced Operations

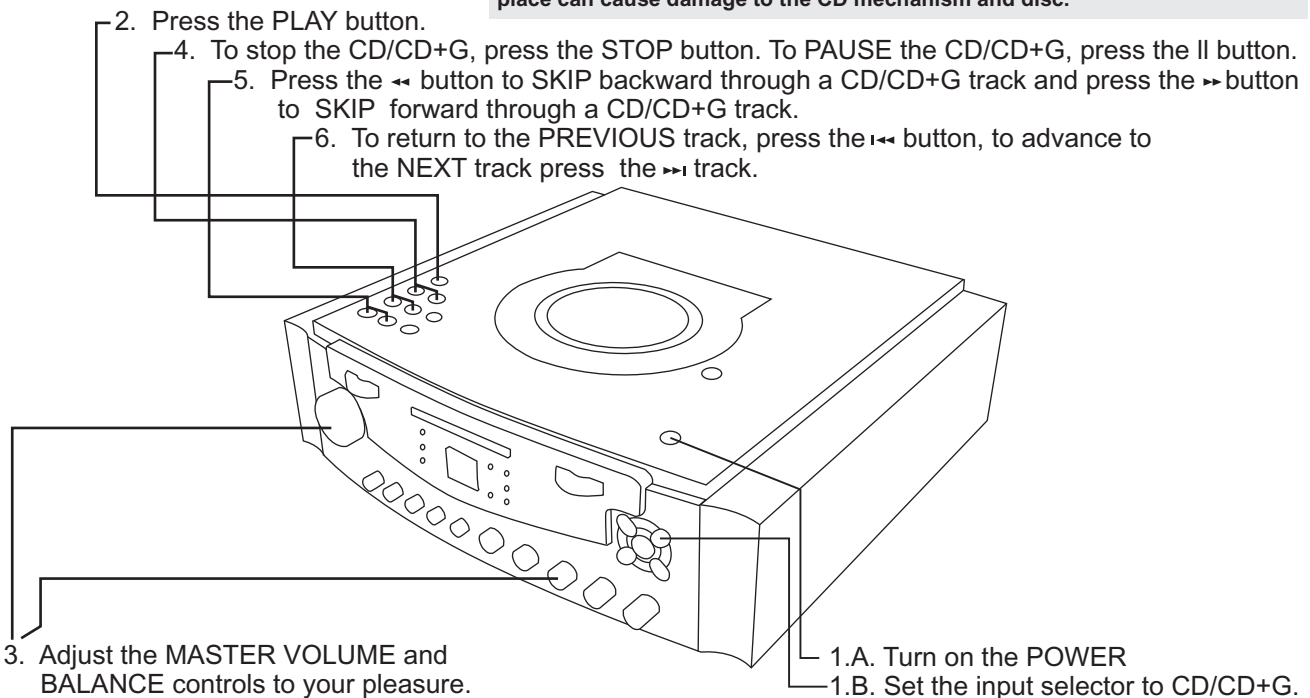
CD/CD+G Operation

Loading and Unloading CD/CD+G's



Notes: To ensure firm locking of the CD tray, please press on the CD tray at the LEFT MODE position until a 'click' sound is heard. **Before operating the CD/CD+G player for the first time, please make sure the neoprene bushing has been removed from the CD tray. attempting to play a disc with the bushing still in place can cause damage to the CD mechanism and disc.**

CD/CD+G Playback



CD/CD+G Playback Modes

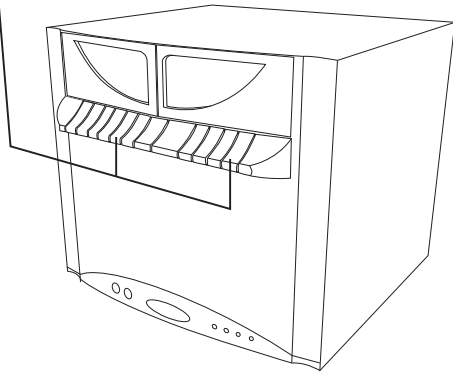
- 1. REPEAT TRACK Mode** - Repeat Track mode is used to continually repeat a single CD/CD+G track. To enter Repeat Track mode, press the REPEAT button once (look for blinking light on the REPEAT LED). To exit Repeat Track mode, press the REPEAT button twice more.
- 2. REPEAT ALL Mode** - Repeat All mode is used to continually repeat ALL the tracks on a CD/CD+G disc. To enter Repeat All mode, press the REPEAT button twice (look for the steady light on the REPEAT LED). To exit Repeat All mode, press the REPEAT button once more.
- 3. PROGRAM Mode** - Program mode is used to program a selection of tracks for consecutive playback. To enter Program mode, press the PROGRAM button. You will see "Pr" blinking in the track display and a blinking light in the PROGRAM LED. Press the <<< >>> button's to maneuver through possible track selections. When you want to program a track, press the PROGRAM button. Repeat this process till you have programmed all the desired tracks. To start the programmed playback, press PLAY. To exit the Program Mode, press the PROGRAM button again.

Advanced Operations

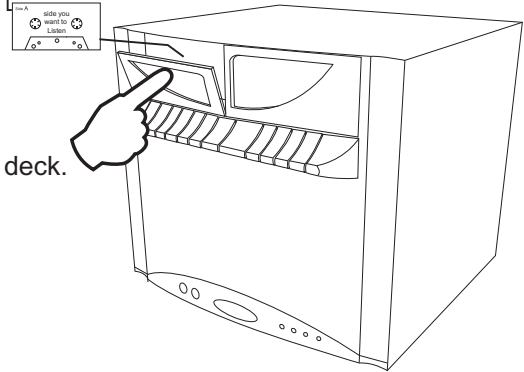
Cassette Operation

Loading and Unloading Cassettes

1. Press the STOP/EJECT button.



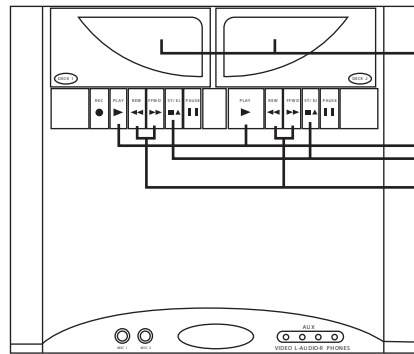
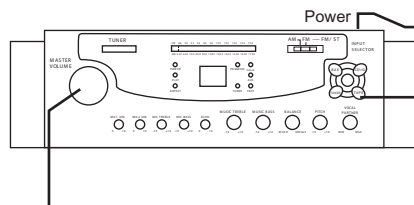
2. Insert a cassette tape with the desired side facing you with tape surface down.



3. Close the cassette deck.

Note: To ensure firm locking of cassette holder/tape covers, please press the cassette door(s) at the center point (or the rightmost positions) until a 'click' sound is heard.

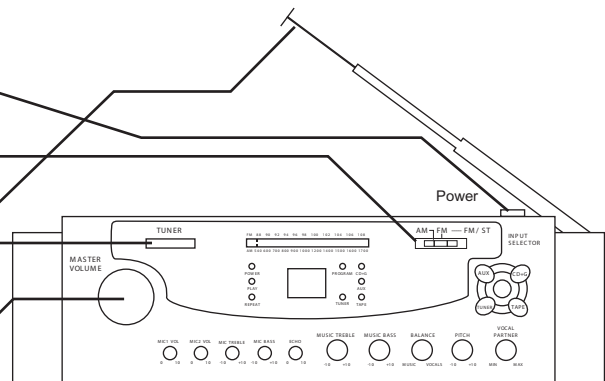
Cassette Playback



1. Turn on **POWER** and press the **TAPE** function button.
2. Load a cassette into the cassette tray.
3. Press the **PLAY** button.
4. Adjust the **MASTER VOLUME**, and **BALANCE** controls to your liking.
5. To stop tape playback, press the **STOP/EJECT** button on that deck once. (Press a second time to eject the tape.) To **PAUSE** the cassette, press the **II** button.
6. Press the **◀** button to **REWIND** a cassette tape and press the **▶** to **FAST-FORWARD**.

AM/FM Tuner Operation

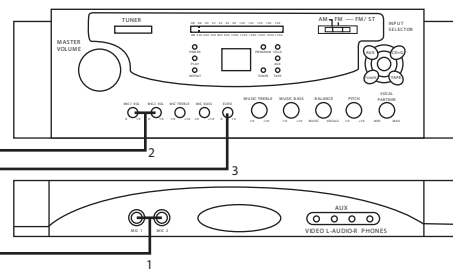
1. Turn on the **POWER**.
2. Press the **TUNER** function button.
3. Switch **BAND** selector to either **AM/FM/FM ST** radio position.
4. The AM antenna is built-in. For FM reception, use the telescopic antenna for best reception.
5. Turn tuning knob to select desired station as indicated on dial.
6. Adjust **MASTER VOLUME** to your pleasure.



Advanced Operations

Microphones Operation

1. Plug either or both Microphone into the Microphone jack(s).
2. Adjust MIC VOLUME for best balance between playback and microphone levels.
3. Adjust MASTER VOLUME, ECHO, TREBLE and BASS controls to add depth and richness to vocals as desired.



Karaoke with CD/CD+G's

1. Refer to and follow the instructions for CD/CD+G Playback. (on pg 14)
2. Refer to and follow the instructions for Microphone Operation. (above)
3. Adjust MASTER VOLUME, ECHO, TREBLE and BASS controls. Your voice will be mixed with the playback output and heard through the speakers.

Karaoke with Tape Decks

1. Refer to and follow the instructions for Cassette Playback. (on pg 15)
2. Refer to and follow the instructions for Microphone Operation. (above)
3. Adjust MASTER VOLUME, ECHO, TREBLE and BASS controls. Your voice will be mixed with the playback output and heard through the speakers.

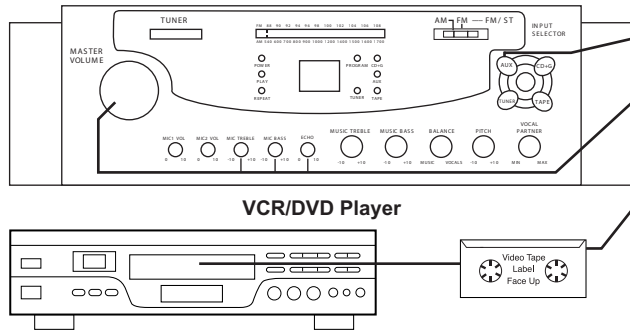
Karaoke with AM/FM Tuner

1. Refer to and follow the instructions for AM/FM Tuner Operation. (on pg 15)
2. Refer to and follow the instructions for Microphone Operation. (above)
3. Adjust MASTER VOLUME, ECHO, TREBLE and BASS controls. Your voice will be mixed with the playback output and heard through the speakers.

Advanced Operations

Karaoke with a VHS Cassette

1. Refer to and follow the instructions for "Connecting a VCR, Camcorder or Gaming Console". (on pg 13)
2. Refer to and follow the instructions for Microphone Operation. (on pg 16)

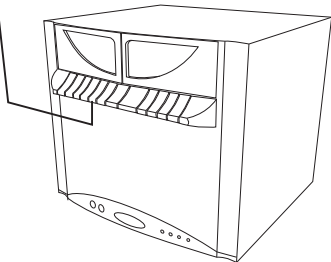


3. Press the AUX function button.
4. Adjust MASTER VOLUME, DIGITAL ECHO, TREBLE and BASS controls.
5. Load the videocassette and then start playback.
6. Begin singing and your voice will be mixed with the playback output and heard through the speaker.

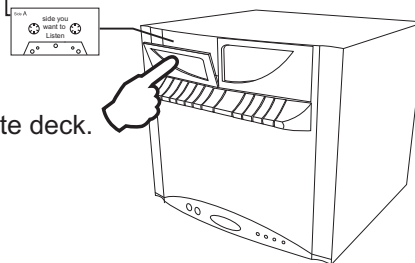
Recording Karaoke with Cassette

Load a blank cassette tape into Deck 1.

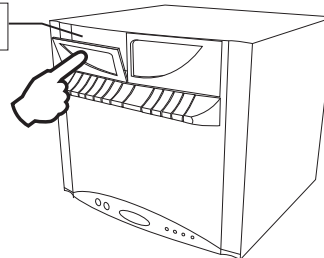
- 1.A. Press the STOP/EJECT button.



- 1.B. Insert a cassette tape with the desired side facing you with tape surface down.



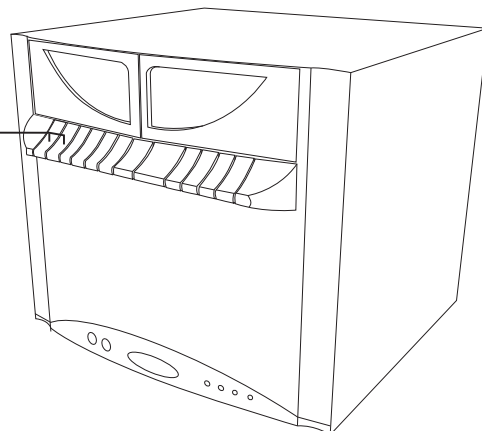
- 1.C. Close the cassette deck.



Note: To ensure firm locking of cassette holder/tape covers, please press the cassette door(s) at the center point (or the rightmost positions) until a 'click' sound is heard.

2. Refer to and follow the instructions for the function that you are going to sing with and prepare the media for playback. Press the PLAY button on that function's control set.

3. Press both the RECORD and PLAY buttons on Deck 1 at the same time. The mixed output of your voice and audio will be recorded onto the blank tape.

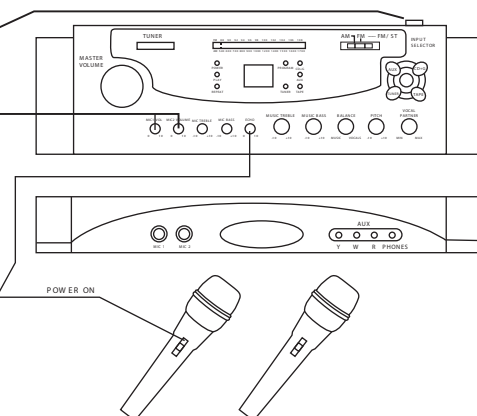


Advanced Operations

Using the SUMO/VP-899 as a PA (Public Address)

The SUMO/VP-899 can be used as a PA (Public Address System).

1. Connect the supplied Microphone to either one of the MIC inputs.
2. Press the POWER switch to turn the unit On.
3. Move the MIC VOLUME control to central position.
4. Move the ON/OFF switch located on the Microphone to ON position and speak or Sing to the Microphone. The Microphone sensitivity and loudness could be adjusted as required by turning the MIC VOLUME control and/or MASTER VOLUME control.
5. To add depth or ambiance to your voice, adjust the DIGITAL ECHO, controls until the desired effect is obtained.



Note: To prevent feedback or whistling from occurring, please be sure that the microphone is not pointed at the speaker system or has too much.

Using the Pitch Control to Adjust Tape Speed

The Pitch control allows you increase or decrease the speed at which the tape is played. By increasing the speed of the tape, the audio also sounds higher and vice versa when you decrease the speed. This is very handy when you would like to sing a song faster or slower.

Turn clockwise decrease pitch, and counter-clockwise to increase pitch.

Using Vocal Partner and Vocal Sensitivity Control

When playing Multiplex recorded software, you can use the V.Partner feature to remove the vocal layer from playback. When the Vocal feature is activated, the vocal layer on a multiplex recording is eliminated as soon as the singer begins singing into the microphone. When the singer stops singing, the vocals on the multiplex recording are automatically returned to playback. This function is useful for practicing duo sessions when a singer is performing solo. To enable V. Partner, turn the sensitivity control clockwise till the guide vocals disappear from the mix. Leave the setting after your voice level has been set. To remove the V.Partner feature, turn the V.Partner fully counter Clockwise.

Note: The Vocal feature only works with multiplex recorded software.

Troubleshooting

No sound coming from selected music source	No power plug connections at the AC outlet.	Insert the power plug into the AC outlet.
No sound.	Master Volume control is set to a minimum.	Turn up the Master volume.
	The wrong function is selected on the Input selector.	Select the correct function.
CASSETTE is unsteady tape sound	Dirty capstan mechanism.	Clean capstan thoroughly.
	Irregular cassette tape movement.	Replace the cassette tape.
	Pitch control may be set to the wrong position.	Adjust the Pitch control.
Cannot record	The cassette tape erasure prevention tabs have been removed.	Fill holes with tape or cover tab openings with adhesive tape.
	Record Level is too low	Turn up record level till led activity is present.
	Play and Record buttons were not pressed down simultaneously.	When recording, make sure both the Record and Play buttons are pressed at the same time.
Recorded tape sound is distorted	Dirty head mechanism.	Clean capstan thoroughly.
	Faulty cassette tape.	Replace the cassette tape.
□ □ CD PLAYER will not work normally.	Disc has been inserted upside down, is terribly dirty, scratched, warped.	Insert the CD/CD+G disc correctly, Wipe very clean with soft cloth evenly. use a new disc if is not reading correctly.
	A non-standard disc has been inserted, Moisture has formed inside the CD deck or unit	Try to use only brand name discs, Wait about 1 to 2 hours to let it dry.
No song lyrics appear on screen.	Wrong function is selected on the Input selector.	Select CD+G on the Input Selector.
	Video cable to the TV Is not connected properly.	Connect the video cable to the SUMO/VP-899 VIDEO OUT and to the TV's VIDEO IN.
	Input selector on external TV is not set to VIDEO,	Select VIDEO Input on external TV.
	TV is not equipped with video a line input.	Connect a cable from the VIDEO OUT jack of the system to the AUX IN jack of your VCR, or use RF Modulator