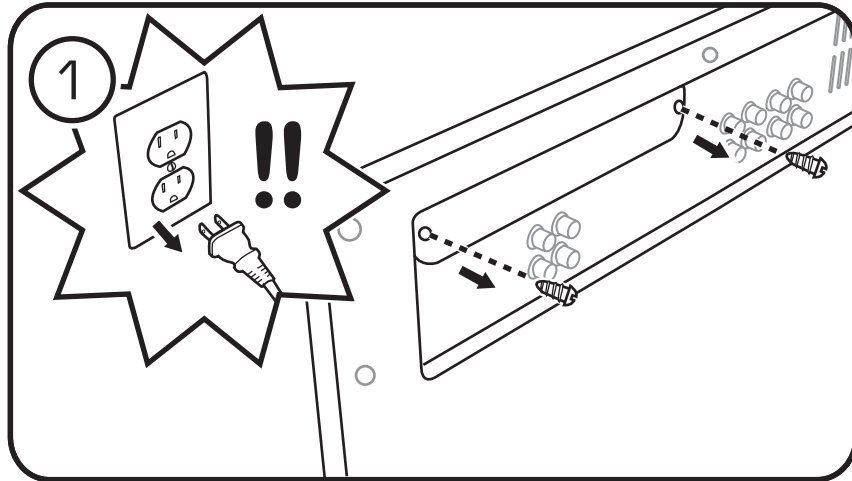
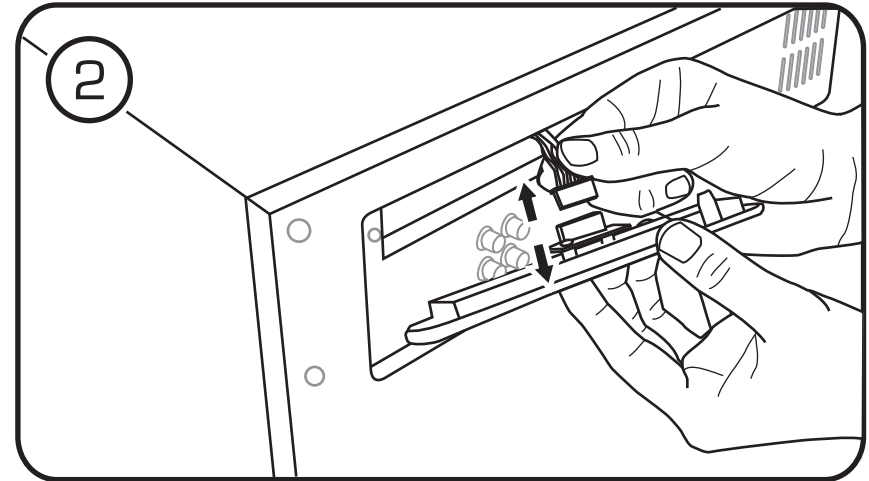


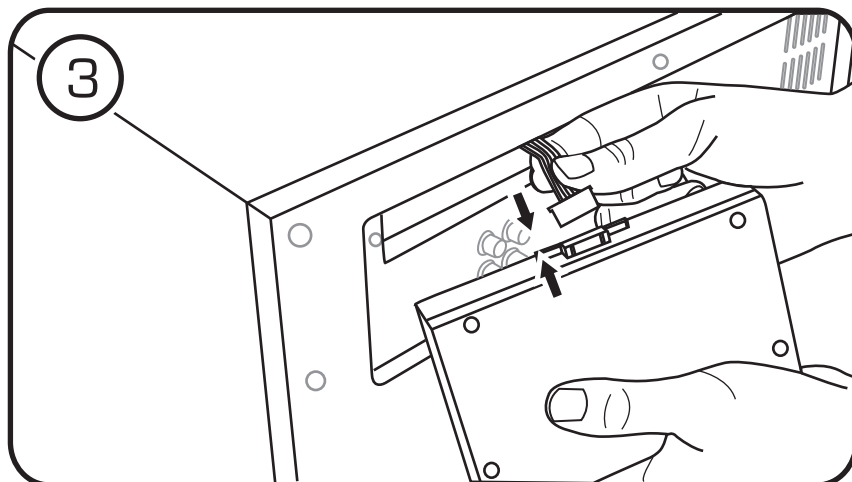
Installing the VHF-MODULE:



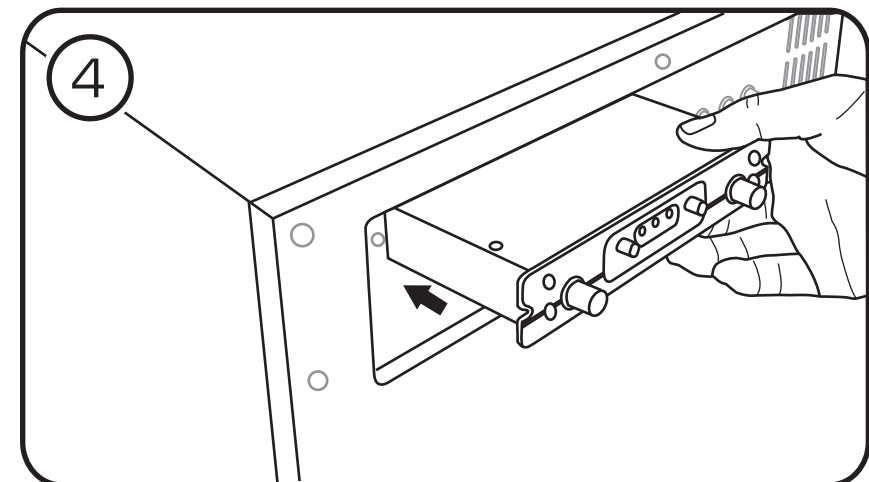
IMPORTANT: Turn off and unplug the device that the VHF-MODULE will be installed in. Unscrew the plastic cover from the expansion port.



Carefully remove the cable from the plastic cover. **NOTE:** Be sure that the cable does not fall back into the unit. It may be necessary to temporarily secure the cable to the unit with a small piece of tape to prevent it from falling back into the unit.



Firmly connect the cable to the plug on the back of the VHF-MODULE.



Slide the VHF-MODULE into the expansion slot, and secure it with the two screws.